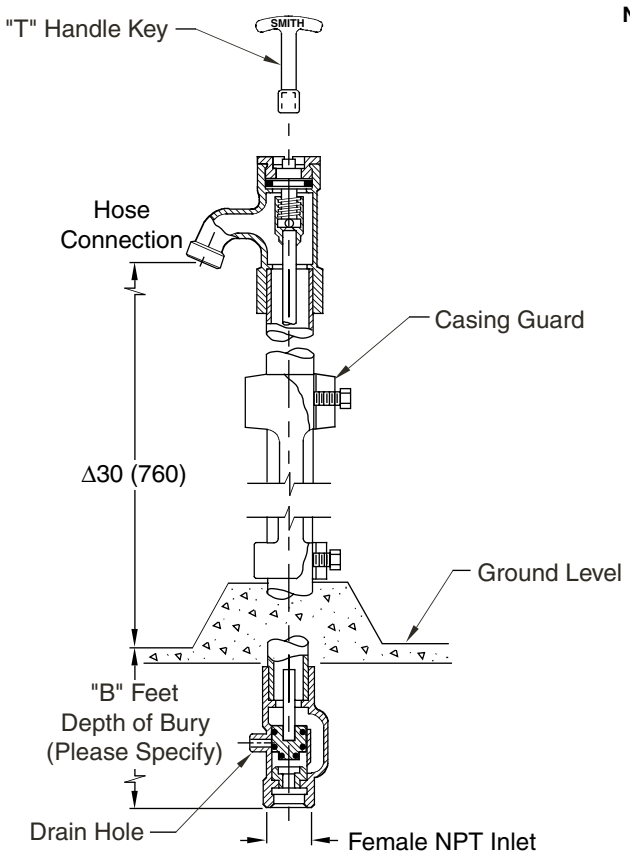


# NON-FREEZE POST HYDRANT

## POST HYDRANTS WITH 3/4" (19) OR 1" (25) CONNECTIONS

**FUNCTION:** Used where an above ground water outlet is required in areas which are subject to freezing temperatures. Freezing is prevented by burying the valve housing below the frost line and draining water from the casing after shut-off.



- NOTES:**
- All Jay R. Smith hydrants are manufactured with "NO-LEAD" brazing rings and USDA approved lubricants.
  - Addition of vacuum breaker will not allow draining of the casing. Smith is not responsible for any casings that burst or related incidents if the hydrant is supplied with a vacuum breaker.
  - The AB1953, California Lead Law, and NSF/ANSI Standard 61-2008 - Drinking Water System Components are not applicable to Jay R. Smith hydrants as they do not convey/dispense water for human consumption through drinking or cooking.
  - Dimensions shown in parentheses are in millimeters.

**REGULARLY FURNISHED:**  
Bronze Non-Freeze Post Hydrant with Cast Iron Casing Guard, and "T" Handle Key. Inlet and Hose Connection Size Furnished as Indicated by Figure Number Selected.

- VARIATIONS:**
- 1" (25) Hose Connection Adapter -HC1
  - 1/8" (3) NPT Drain Hole -NV
  - Secured Wheel Handle -WH
  - 3/4" (19) Vacuum Breaker -H (Fig. 5910 Only)

**OPTIONAL MATERIALS:**

- Aluminum Casing Guard -AG

B (Depth of Bury) = 02(610), 03(915), 04(1220), 05(1525), 06(1830), 07(2135) or 08(2438) Feet

- Fig. 5910 ... 3/4" (19) } Inlet and Hose Conn.
- Fig. 5911 ... 1" (25) }

ΔRegularly Furnished (unless otherwise specified)

### TECHNICAL DATA

Non-Freeze Post Hydrants are supplied with a special valve housing which prevents freezing of hydrant during non-use periods. The valve housing must be installed below the frost line which prevails for the area of installation. The valve housing has a drain hole which drains the casing when the hydrant is shut off. In effect, there is no water in the casing during non-use periods. Since water from the drain hole is normally allowed to drain into the ground, the valve housing should be set in a bed of gravel. Water drained from the casing can then seep into the ground.

Some locations which require Non-Freeze Post Hydrants cannot tolerate water draining from the drain hole. Examples are parking garages, plazas and roof decks used for recreational purposes. Often in these types of applications the valve housing will protrude into a finished area which is not subject to freezing temperatures. To eliminate the problem of water drainage in this type of installation, Smith can supply a tapped drain hole in the valve housing. Through this tapped drain hole, the water from the valve housing can be piped to a suitable drain.

DRAWING NUMBER: S5910  
 SIZE: A  
 SCALE: NONE  
 DATE: 12-8-86  
 APPROVED BY: TD  
 CHECKED BY: VGD  
 DRAWN BY: WAS  
 DIMENSIONS ARE SUBJECT TO MANUFACTURERS TOLERANCE AND CHANGE WITHOUT NOTICE

J H G F	6-13-11 5-23-11 10-7-09 4-18-97	Revised Note Added Note Revised Notes Corrected "B"	TBW TBW RN EMB	CL CL CL BS	WEIGHT POUNDS	VOLUME CUBIC FEET	<b>FIGURE NUMBER</b>  <h1 style="margin: 0;">5910, 5911</h1>
REV.	DATE	DESCRIPTION	BY	CKD. BY			



**JAY R. SMITH MFG. CO.**  
 MEMBER OF ACORN'S FAMILY OF COMPANIES  
 POST OFFICE BOX 3237  
 MONTGOMERY, ALABAMA 36109-0237 (USA)  
 TEL: 334-277-8520 FAX: 334-272-7396 www.jrsmith.com



LOCATION

C

DRAWING NUMBER  
S5910BS

SIZE  
A

SCALE:  
NONE

DATE:  
1-23-85

APPROVED BY:  
TD

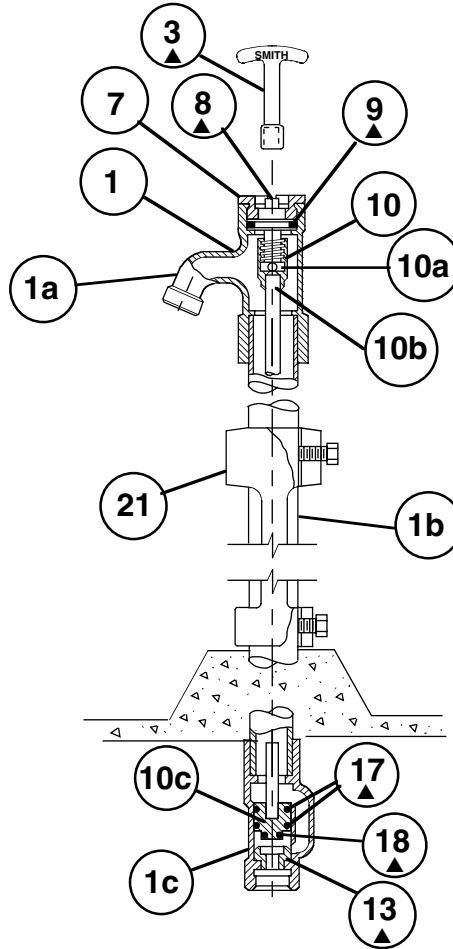
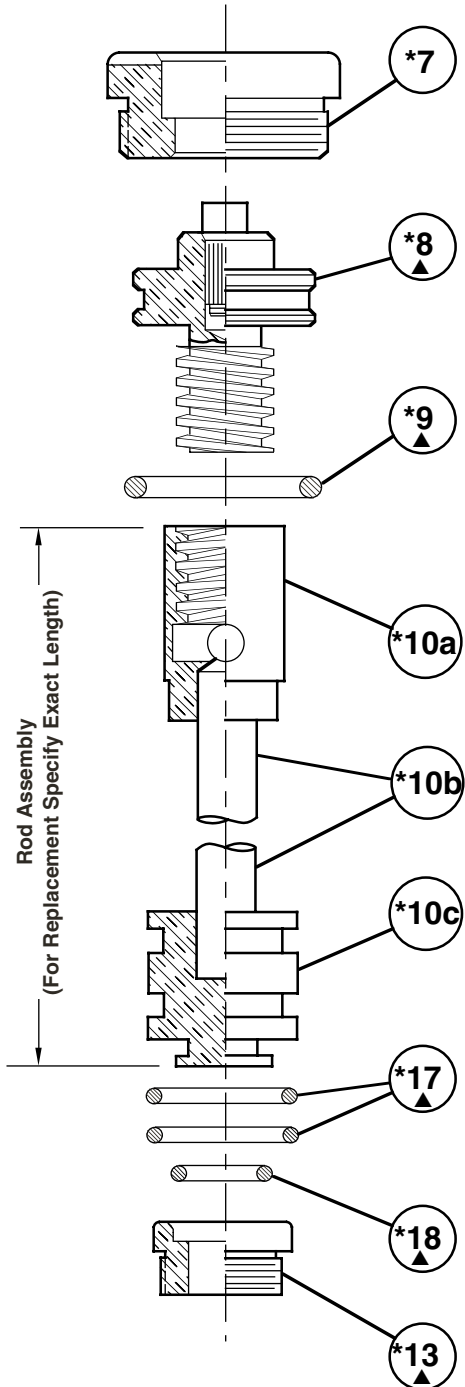
CHECKED BY:  
TD

DRAWN BY:  
VGD

**5910,5911**

WE CAN ASSUME NO RESPONSIBILITY FOR USE OF SUPERSEDED OR VOID DATA

## PARTS LIST WITH MAINTENANCE INSTRUCTIONS



REPLACEMENT PARTS LIST-SPECIFY FIGURE NO. WHEN ORDERING			
No.	DESCRIPTION	No.	DESCRIPTION
1	Head/Casing Assembly	10	Operating Rod Assembly
1a	Head	10a	Coupling
1b	Casing	10b	Rod
1c	Valve Housing	10c	Plunger
3	Key	13	Removable Seat
7	Face Nut	17	Plunger "O" Ring
8	Operating Screw	18	Plunger "O" Ring
9	Operating Screw "O" Ring	21	Casing Guard

### MAINTENANCE INSTRUCTIONS

1. Shut off water supply.
2. Remove face nut.
3. Pull stem out for complete access to all working parts.
4. Check all working parts for replacement.
5. Replace complete stem assembly and face nut.

\*These parts are accessible from face of hydrant by removing face nut.

▲These replacement parts available in HPRK-41

REV.	DATE	DESCRIPTION	BY	CKD. BY
C	4-48-97	Changed HPRK # Revised Callouts Submittal Update	EMB	BS
B	11-8-94			
A	6-23-93			

WEIGHT POUNDS	VOLUME CUBIC FEET

**FIGURE NUMBER**  
**5910,5911**