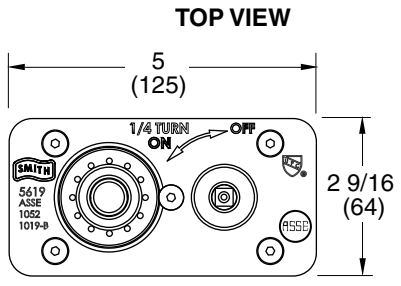
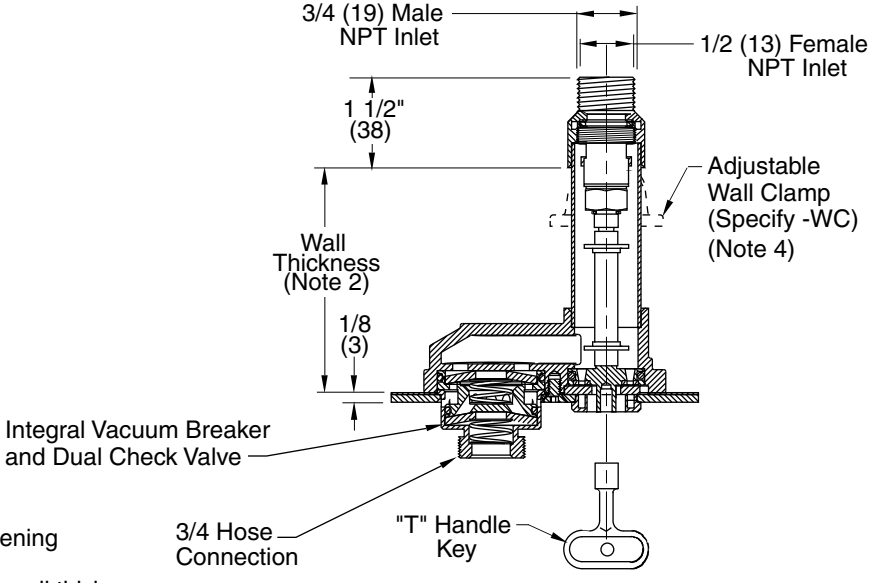


**GUARDIAN DUAL CHECK**  
**1/4 TURN NON-FREEZE WALL HYDRANT WITH AUTOMATIC DRAINING**  
**INTEGRAL VACUUM BREAKER AND DUAL CHECK VALVE**

**EXPOSED HOSE CONNECTION**

**FUNCTION:** For installation in interior or exterior building walls where an exposed hose connection is acceptable. Provides positive non-freeze protection. Adaptable to all types of wall construction.

**1/4 Turn of the Key Allows Full Flow to Be Obtained**



**FRONT VIEW**  
**FIG. 5619**

**NOTES:**

1. Recommended wall opening 2 1/4 (57) x 4 (100).
2. When ordering, specify wall thickness in 1 (25) increments as follows 4,5,6,7,8.....24.
3. All Jay R. Smith hydrants are manufactured with "NO-LEAD" brazing rings, and USDA approved lubricants.
4. When wall clamp -WC is desired, increase wall thickness dimension by 2 (51).
5. Add 3/4 (19) to Overall Length When Specified
6. When specifying Fig. 5619 (-SAP) the wall thickness shall be 2 (51).
7. Dimensions shown in parentheses are in millimeters.
8. The AB1953, California Lead Law, and NSF/ANSI Standard 61-2008 - Drinking Water System Components are not applicable to Jay R. Smith hydrants as they do not convey/dispense water for human consumption through drinking or cooking.

Seepage of a small amount of water may occur from the Vacuum Breaker upon the initial opening and closing of this hydrant. This is normal operation.

Meets ANSI A112.21.3M Specifications  
 Complies w/ ASSE 1019-B,1052 and 1053.  
 IAPMO Listed- File #2749  
 Patent No. US 6,752,167

**REGULARLY FURNISHED:**

Bronze Quarter Turn Non-Freeze Automatic Draining Hydrant with Stainless Steel Face, Hose Connection, Integral Vacuum Breaker and Dual Check Valve and "T" Handle Key.

**VARIATIONS:**

- Adjustable Wall Clamp -WC (Note 4)
- 1 (25) Hose Connection -HC1
- 1 (25) Male NPT Inlet Connection -IC1 (Note 5)
- Mild Climate -SAP (Note 6)
- Wheel Handle (-WH)

**OPTIONAL MATERIALS:**

- Polished Bronze Face -PB
- Chrome Plated Face -CP

DRAWING NUMBER 5619  
 SIZE A  
 SCALE: NONE  
 DATE: 3-24-03  
 APPROVED BY: CEL  
 CHECKED BY: CL  
 DRAWN BY: RN  
 FIGURE NUMBER 5619

WE CAN ASSUME NO RESPONSIBILITY FOR USE OF SUPERSEDED OR VOID DATA  
 DIMENSIONS ARE SUBJECT TO MANUFACTURERS TOLERANCE AND CHANGE WITHOUT NOTICE

F E D C	6-13-11 5-17-11 10-7-09 2-4-08	Revised Note Added Note Revised Table Revised Specifications	TBW TBW RN RN	CL CL CL CL	WEIGHT POUNDS	VOLUME CUBIC FEET	<b>FIGURE NUMBER</b>  <b>5619</b>
REV.	DATE	DESCRIPTION	BY	CKD. BY			

DRAWING NUMBER  
5619BS

SIZE  
A

SCALE:  
NONE

DATE:  
3-24-03

APPROVED BY:  
CEL

CHECKED BY:  
CL

DRAWN BY:  
RN

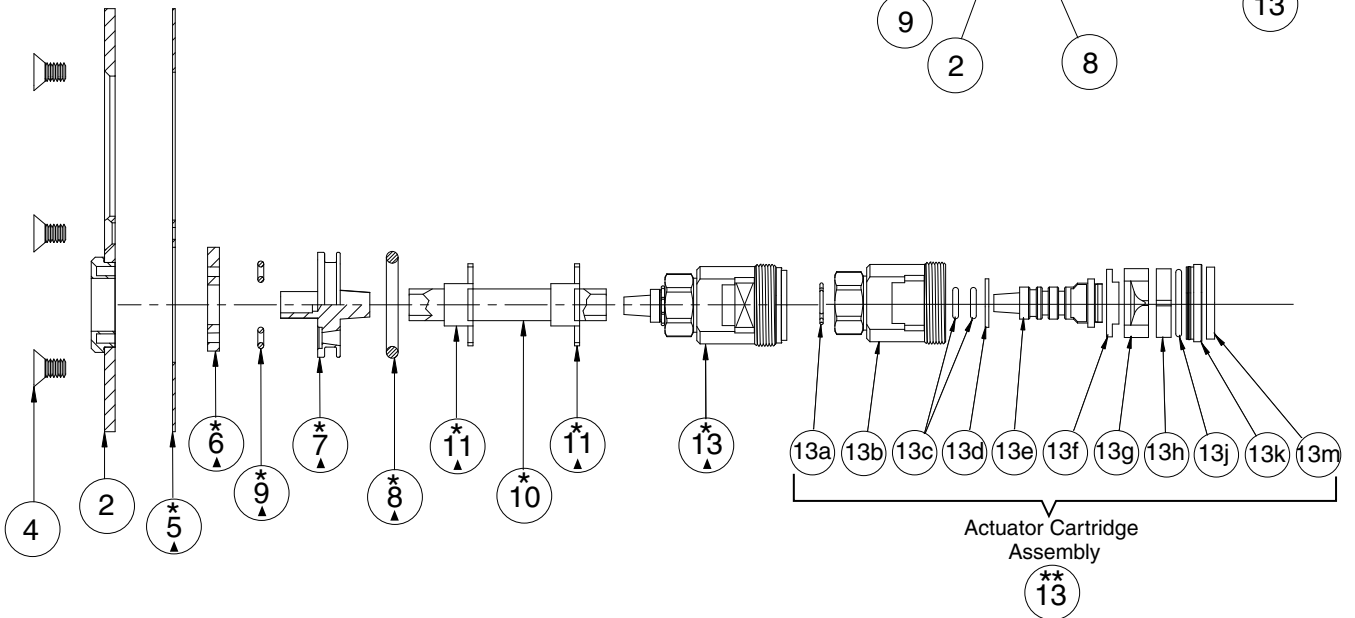
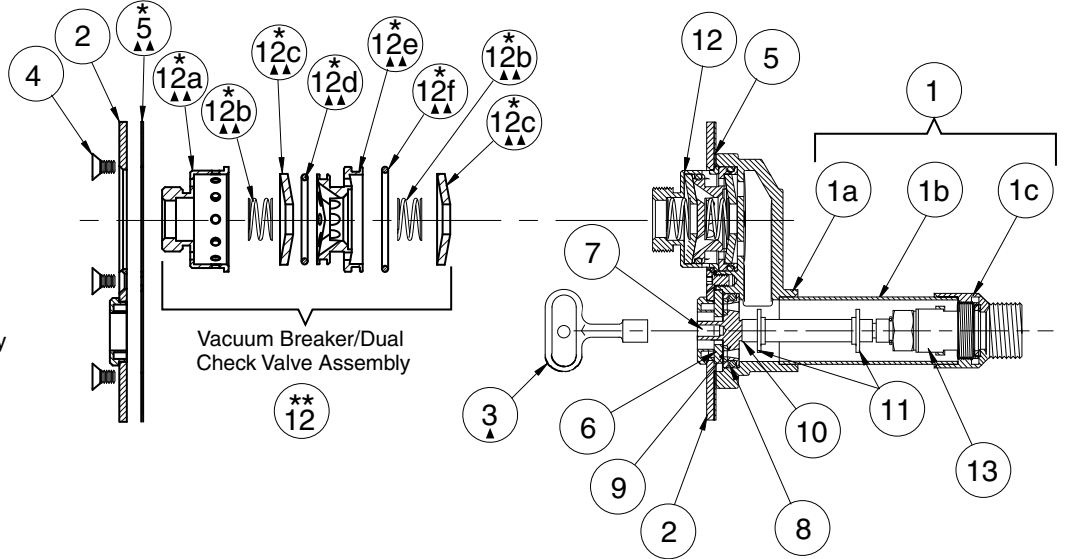
FIGURE NUMBER  
5619BS

WE CAN ASSUME NO RESPONSIBILITY FOR USE OF SUPERSEDED OR VOID DATA

DIMENSIONS ARE SUBJECT TO MANUFACTURERS TOLERANCE AND CHANGE WITHOUT NOTICE

# GUARDIAN DUAL CHECK HYDRANT PARTS LIST

- ▲ These Replacement Parts Available in HPRK-19
- ▲▲ These Replacement Parts Available in HPRK-19VB
- \* These Parts Accessible from Face of Hydrant by Removing Wall Plate Assembly.
- \*\* Parts supplied as an assembly only, see part 12 or 13.



HYDRANT PARTS LIST							
NO.	DESCRIPTION	NO.	DESCRIPTION	NO.	DESCRIPTION	NO.	DESCRIPTION
1	Casing Assembly	7	Moveable Operator Piece	12d	**Small O-Ring	13f	**Nylon Thrust Washer
1a	Head	8	Moveable Operator O-Ring	12e	**Flow Diverter	13g	**Rotating Ceramic Disc
1b	Casing	9	Drain Hole Seal (2)	12f	**Large O-Ring	13h	**Fixed Ceramic Disc
1c	Valve Housing	10	Operator Rod	13	Actuator Cartridge Assembly	13j	**O-Ring
2	Wall Plate Assembly	11	Operator Rod Guides (2)	13a	**Retaining Ring	13k	**O-Ring Gasket Retainer
3	Key	12	Vacuum Breaker/Dual Check Valve Assembly	13b	**Valve Body	13m	**Rubber Seal
4	Wall Plate Securing Screw (5)	12a	**Vacuum Breaker Housing	13c	**Actuator O-Ring (2)		
5	Wall Plate Gasket	12b	**Spring (2)	13d	**Nylon Thrust Spacer		
6	Stationary Operator Piece	12c	**Cone Washer (2)	13e	**Valve Actuator		

REV.	DATE	DESCRIPTION	BY	CKD. BY	WEIGHT POUNDS	VOLUME CUBIC FEET	FIGURE NUMBER <b>5619BS</b>
------	------	-------------	----	---------	---------------	-------------------	--------------------------------