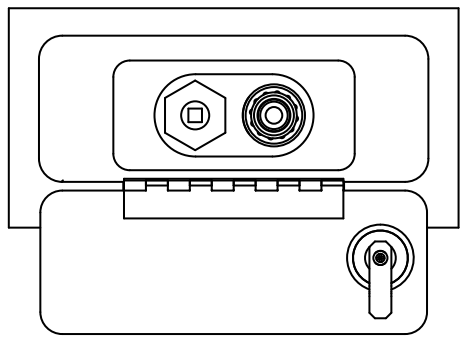


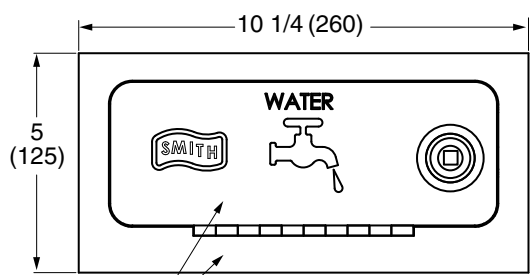
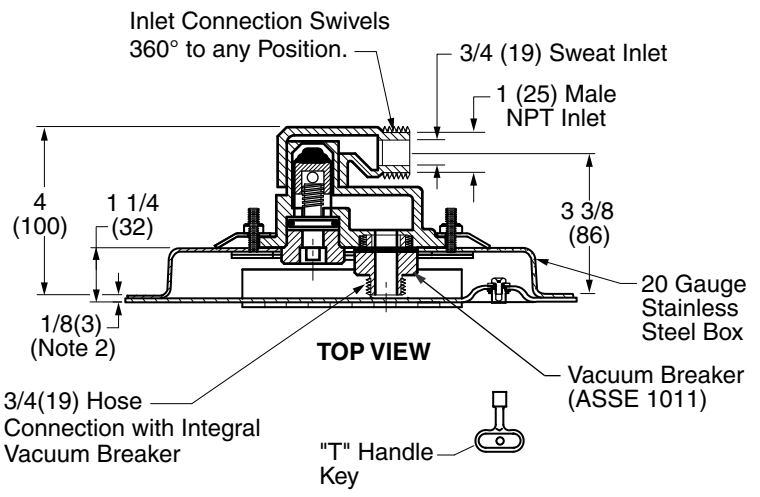
# NARROW WALL WARM CLIMATE HYDRANT

## BOX TYPE WITH CONCEALED HOSE CONNECTION

**FUNCTION:** For installation in interior or exterior wall of building where a concealed hose connection is desired and there is no danger of freezing. Hydrant features an integral type vacuum breaker. The locking cover prevents unauthorized use.



**FRONT VIEW with COVER OPEN**



16 gauge Frame and Hinged Locking Cover (Cover opens full 180)

- NOTES:**
1. Recommended wall opening is 3 3/16 (83) x 8 1/2 (215).
  2. Add 3/8 (10) when optional box face material is specified.
  3. All Jay R. Smith hydrants are manufactured with "NO LEAD" brazing rings and USDA approved lubricants.
  4. Dimensions shown in parentheses are in millimeters.
  5. The AB1953, California Lead Law, and NSF/ANSI Standard 61-2008 - Drinking Water System Components are not applicable to Jay R. Smith hydrants as they do not convey/dispense water for human consumption through drinking or cooking.

**REGULARLY FURNISHED:**  
 All Bronze Warm Climate Hydrant with Chrome Plated Face, Hose Connection having Integral ASSE 1011 Vacuum Breaker, 360 Swivel Inlet Connection, "T" Handle Key and Stainless Steel Box.

**VARIATIONS:**  
 Cylinder Lock -CL

**OPTIONAL MATERIALS:**

- Polished Bronze Box Face -PB
- Nickel Bronze Box Face -NB
- Rough Bronze Box Face -RB
- Chrome Plated Box Face -CP

A small amount of water seepage may occur from the vacuum breaker and operating screw upon initial opening and closing of the hydrant. This is normal operation.

**FIG. 5518**

DRAWING NUMBER: 5518  
 SIZE: A  
 SCALE: NONE  
 DATE: 8-11-09  
 APPROVED BY: CL  
 CHECKED BY: CL  
 DRAWN BY: RN  
 DIMENSIONS ARE SUBJECT TO MANUFACTURERS TOLERANCE AND CHANGE WITHOUT NOTICE  
 WE CAN ASSUME NO RESPONSIBILITY FOR USE OF SUPERSEDED OR VOID DATA  
**5518**  
 FIGURE NUMBER

B	1-7-11	Revised Regularly Furnished	RN	CL	WEIGHT POUNDS	VOLUME CUBIC FEET	FIGURE NUMBER <b>5518</b>
A	10-7-09	Revised Notes	RN	CL			
REV.	DATE	DESCRIPTION	BY	CKD. BY			