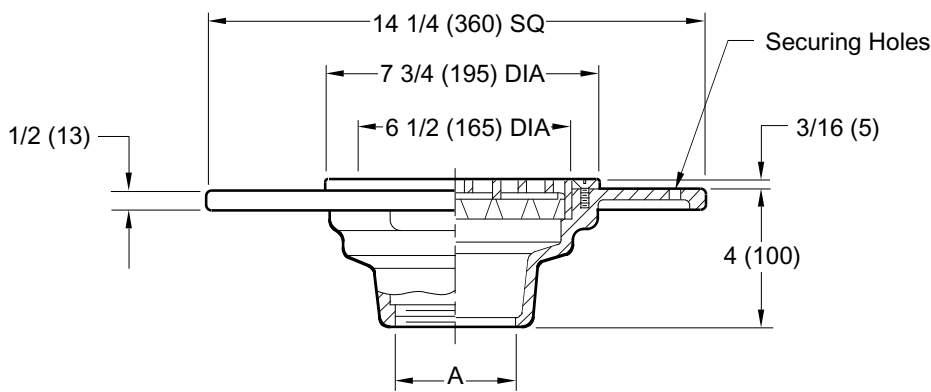
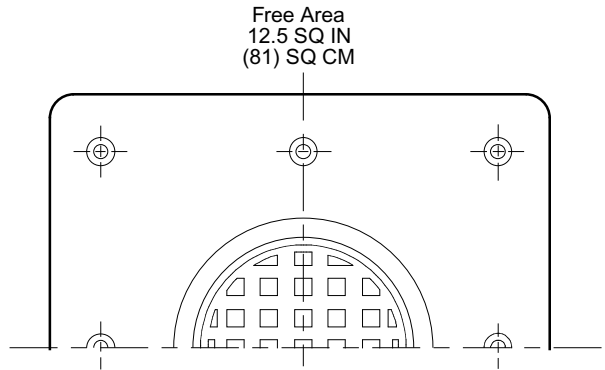


FLOOR DRAINS

SQUARE FLANGE WITH NICKEL BRONZE TRACTOR GRATE

FOR USE WITH WATERPROOF DECK COVERINGS FOR WOOD DECK OR CONCRETE CONSTRUCTION

FUNCTION: Used on promenade roof decks and roof recreational areas where waterproof traffic deck covering is to be installed. Wide flange allows adhesion of waterproof traffic deck covering, insuring watertight integrity, for particular use with wood deck construction.



A (Pipe Size) = 02(50), 03(80) or 04(100)

- Fig. DX2568C ... CAULK OUTLET
- Fig. DX2568T ... THREADED OUTLET

REGULARLY FURNISHED:
 Duco Cast Iron Body with Nickel Bronze Tractor Grate and Rim.

- VARIATIONS:**
- NO-HUB Adaptor (Specify Fig. 2646Y)
 - Sediment Bucket -B
 - Vandal Proof Grate -U
 - Underdeck Clamp -UDC

- OPTIONAL MATERIALS:**
- Galvanized Cast Iron -G
 - Polished Bronze Top -PB

NOTE: Dimensions shown in parentheses are in millimeters.

DRAWING NUMBER: SDX2568
 SIZE: A
 SCALE: NONE
 DATE: 5-17-85
 APPROVED BY: TD
 CHECKED BY: TD
 DRAWN BY: PJ
DX2568
 DIMENSIONS ARE SUBJECT TO MANUFACTURERS TOLERANCE AND CHANGE WITHOUT NOTICE

WE CAN ASSUME NO RESPONSIBILITY FOR USE OF SUPERSEDED OR VOID DATA

FIGURE NUMBER	D C	04/22/04 2-23-96	Added UDC to Variations Added Millimeters	JJ EMB	CL BS	WEIGHT POUNDS	VOLUME CUBIC FEET	FIGURE NUMBER DX2568
	REV.	DATE	DESCRIPTION	BY	CKD. BY			