

L

SMITH® JAY R. SMITH MFG. CO.®
 DIVISION OF SMITH INDUSTRIES, INC.
 POST OFFICE BOX 3237
 MONTGOMERY, ALABAMA 36109-0237 (USA)
 TEL: 334-277-8520 FAX: 334-272-7396 www.jrsmith.com



MEMBER OF:

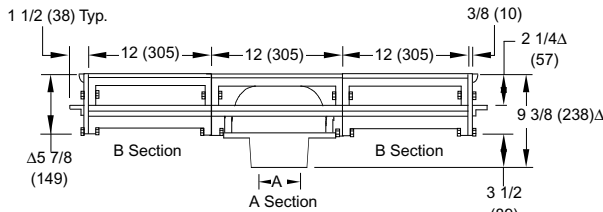
LOCATION

WIDE HEAVY DUTY TRENCH DRAINS

HEAVY DUTY MODULAR TRENCH DRAINS

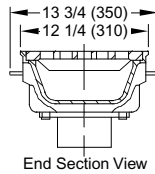
FUNCTION: Used as a ramp drain in loading or parking areas where a wide continuous trench drain is required to handle moderate traffic loads and serve as a reservoir for large water runoff. Can also be used individually as an area drain (A Section Only).

Free Area
 39.3 SQ IN
 (254) SQ CM
 (Each Section)

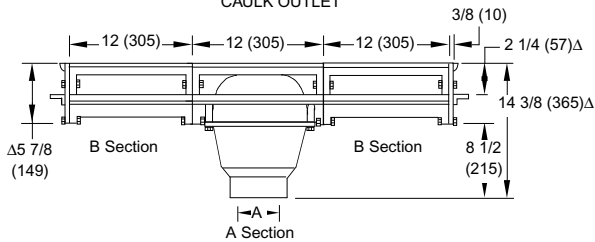


A (Pipe Size) = 03(80), 04(100), 05(125), 06(150) or 08(200)
 CAULK OUTLET

Fig. 2710C CAULK OUTLET
 Shallow Hub Body

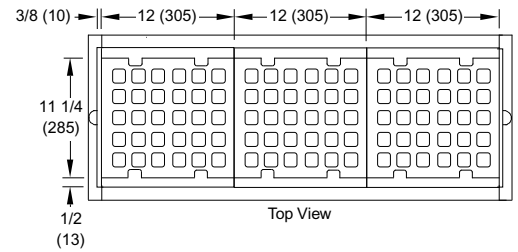
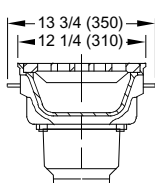


Note: Apply sealant provided between each section and end plate prior to assembling.



A (Pipe Size) = 03(80), 04(100), 05(125), 06(150) or 08(200)
 CAULK OUTLET

Fig. 2710C (-DH) CAULK OUTLET
 Deep Hub Body



Assembly ordering Information:

A and B sections are both 12" (305) long. A section is the outlet section and available in the standard hub or deep outlet hub (-DH). B section is the extension section. It is recommended that no more than 5,12" (305) extension sections on each side of the A outlet section be used. Each section is 12" (305) long and end plates are 1 1/2" (38) thick including flange. In determining overall length, multiply 12" (305) x no. of sections and add 3" (76) (thickness of the two end plates).

- FIG. 2710 "A" Section
- FIG. 2711 "A" Section with (1) "B" Section
- FIG. 2712 "A" Section with (2) "B" Section
- FIG. 2713 "A" Section with (3) "B" Section
- FIG. 2714 "A" Section with (4) "B" Section
- FIG. 2715 "A" Section with (5) "B" Section
- FIG. 2716 "A" Section with (6) "B" Section
- FIG. 2717 "A" Section with (7) "B" Section
- FIG. 2718 "A" Section with (8) "B" Section
- FIG. 2719 "A" Section with (9) "B" Section
- FIG. 2720 "A" Section with (10) "B" Section

NOTE: Last digit of figure number designates number of "B" sections.

NOTE: Any figure number other than the 2710 and 2711 must be furnished with sectional layout when placing order, to insure proper assembly at jobsite.

REGULARLY FURNISHED:

Duco Cast Iron Flanged Body Outlet Section A and Flanged End Plate with Cast Iron Anti-Shift Loose Set Square Hole Grate.

Δ Add 1 1/4" (32) when Bronze Top is specified.

Note: B sections are shown above with the A section for illustrative purposes only. Only the A section is regularly furnished and additional B sections must be specified as determined by figure number.

VARIATIONS:

- Backwater Valve -V 02(50) -04"(100) (Deep Hub Body Only)
- Deep Hub -DH, Not Available in 08" (200)
- Dome Bottom Strainer -DBS
- Flashing Clamp -C
- Sediment Bucket -B (Deep Hub Body only)
- Vandal Proof Grate -U

OPTIONAL MATERIALS:

- Ductile Iron Grate -M
- Galvanized Cast Iron -G
- Nickel Bronze Top -NB
- Polished Bronze Top -PB

NOTE: Dimensions shown in parentheses are in millimeters.

DRAWING NUMBER
S2710

SIZE
A

SCALE:
NONE

DATE:
11-6-89

APPROVED BY:
McD

CHECKED BY:
SB

DRAWN BY:
EMB

2710 Series

WE CAN ASSUME NO RESPONSIBILITY FOR USE OF SUPERSEDED OR VOID DATA

DIMENSIONS ARE SUBJECT TO MANUFACTURERS TOLERANCE AND CHANGE WITHOUT NOTICE

REV.	DATE	DESCRIPTION	BY	CKD. BY	WEIGHT POUNDS	VOLUME CUBIC FEET	FIGURE NUMBER
L	6-22-04	Rev Free Area	TBW	CL			2710 Series
K	11-3-97	Rev Var.	EMB	BS			
J	8-18-97	Revised	EMB	BS			
H	7-10-97	Revised	EMB	BS			

C

SMITH® JAY R. SMITH MFG. CO.®
 DIVISION OF SMITH INDUSTRIES, INC.
 POST OFFICE BOX 3237
 MONTGOMERY, ALABAMA 36109-0237 (USA)
 TEL: 334-277-8520 FAX: 334-272-7396 www.jrsmith.com



LOCATION

ASSEMBLY DRAWING

DRAWING NUMBER
S2710BS

SIZE
A

SCALE:
NONE

DATE:
3-26-90

APPROVED BY:
TD

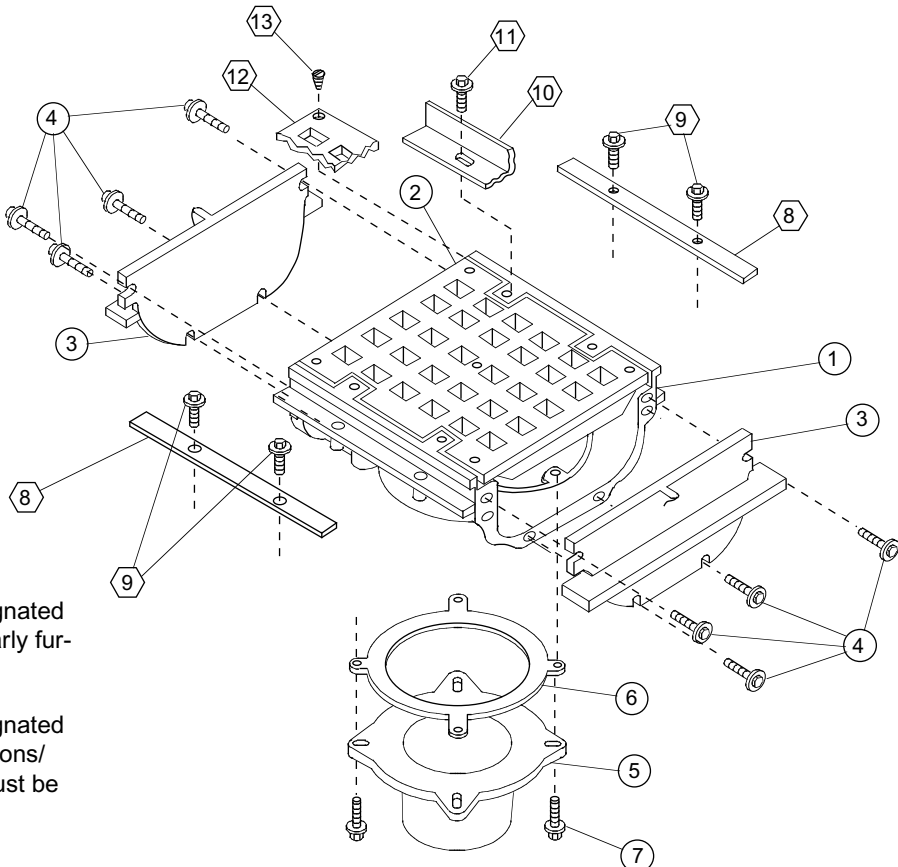
CHECKED BY:
BS

DRAWN BY:
EMB

2710
Assembly Drawing

WE CAN ASSUME NO RESPONSIBILITY FOR USE OF SUPERSEDED OR VOID DATA

DIMENSIONS ARE SUBJECT TO MANUFACTURERS TOLERANCE AND CHANGE WITHOUT NOTICE



- NOTES:**
- Numbers designated thus are regularly furnished parts.
 - ⬡ Numbers designated thus are variations/options and must be specified.

* Quantities are per section.

NO.	DESCRIPTION	QU.*	NO.	DESCRIPTION	QU.*
①	Flanged Body (Specify)	1	⑧	Flashing Flange	4
②	Grate	1	⑨	5/16(8)-18 x 3/4(19) Bolt with Washer	8
③	Flanged End Plates	2	⑩	Body Veneer	1
④	5/16(8)-18 x 1 3/4(44) Bolts/Nuts & Washer	8	⑪	5/16(8)-18 x 3/4(19) Bolt with Washer	4
⑤	Hub (Specify Size)	1	⑫	Grate Veneer	1
⑥	Gasket	1	⑬	10-24 x 7/16(11) Flat Head Screws	5
⑦	5/16(8)-18 x 1 1/4(32) Bolt & Washer	4			

C	11-5-97	Revised Dwg & Callouts Added Millimeters Added Flange & Boss	EMB	BS	WEIGHT POUNDS	VOLUME CUBIC FEET	FIGURE NUMBER 2710 Assembly Drawing
B	6-19-95		EMB	BS			
A	3-91		EMB	JCS			
REV.	DATE	DESCRIPTION	BY	CKD. BY			