

C



**JAY R. SMITH MFG. CO.**  
 DIVISION OF SMITH INDUSTRIES, INC.  
 POST OFFICE BOX 3237  
 MONTGOMERY, ALABAMA 36109-0237 (USA)  
 TEL: 334-277-8520 FAX: 334-272-7396 www.jrsmith.com

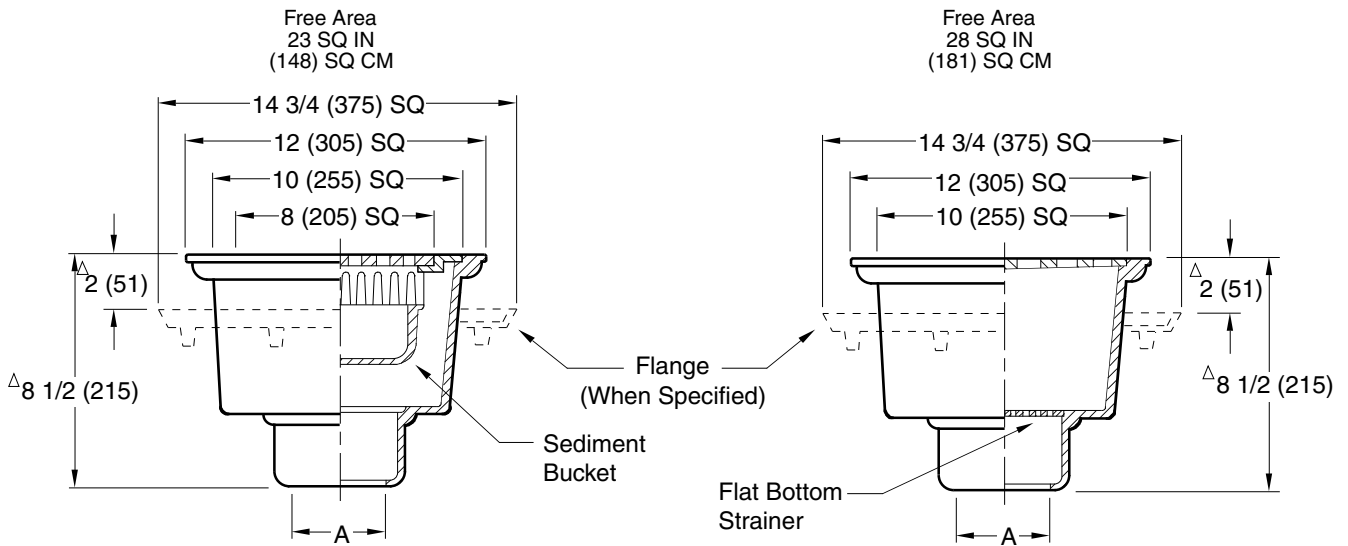


LOCATION

# FLOOR DRAINS

## LIGHT DUTY HOPPER DRAINS

**FUNCTION:** Hopper type drains with variations of grate and sediment bucket for use in areas not subject to traffic (less grate) or light traffic areas (with grate).



A (Pipe Size) = 02(50), 03(80) or 04(100)

**SEDIMENT BUCKET**

**FLAT BOTTOM STRAINER**

■  Fig. 2630C ... 12(305) x 12(305) WITH GRATE  
 Fig. 2631C ... 12(305) x 12(305) LESS GRATE

Fig. 2632C ... 12(305) x 12(305) WITH GRATE  
 Fig. 2633C ... 12(305) x 12(305) LESS GRATE

▲ add 3/8"(10) when bronze top is specified

■ Meets U.S. Government Spec. WW-P-54lb, Type 222.

**NOTE:** Dimensions shown in parentheses are in millimeters.

**REGULARLY FURNISHED:**

Duct Cast Iron Body with or Less Grate and Bucket as indicated by Figure Number Selected.

**VARIATIONS:**

- Bell Trap -BT
- Flashing Flange -F
- Flashing Flange with Flashing Clamp -F-C
- Vandal Proof Top or Grate -U
- T Threaded Outlet

**OPTIONAL MATERIALS:**

- Ductile Iron Grate -M (Fig. 2632 only)
- Ductile Iron Grate & Bucket -MGB (Fig. 2630 only)
- Galvanized Cast Iron -G
- Nickel Bronze Top -NB
- Polished Bronze Top -PB

**2630, 2632**

DIMENSIONS ARE SUBJECT TO MANUFACTURERS TOLERANCE AND CHANGE WITHOUT NOTICE

DRAWING NUMBER  
S2630

SIZE  
A

SCALE:  
NONE

DATE:  
5-17-85

APPROVED BY:  
TD

CHECKED BY:  
TD

DRAWN BY:  
PJ

C	5-13-97	Chg'd Opt Mat	EMB	BS	WEIGHT POUNDS	VOLUME CUBIC FEET	FIGURE NUMBER <b>2630, 2632</b>
B	4-14-97	Added Millimeters	EMB	BS			
A	11-11-93	Submittal Update	EMB	BS			
REV.	DATE	DESCRIPTION	BY	CKD. BY			