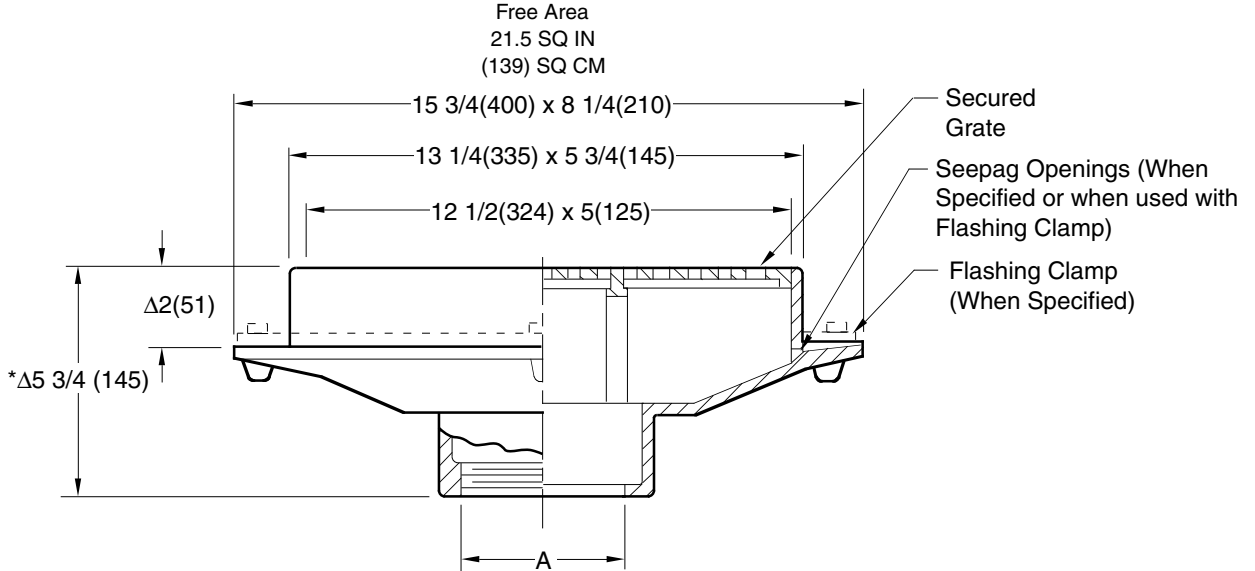




SPECIAL PURPOSE DRAINS

GUTTER DRAINS

FUNCTION: Used in gutters and trenches where only a limited width is available for drainage. Long rectangular grate with large free area is capable of handling large amounts of water.



A (Pipe Size) = 03(75) or 04(100)

Fig. 2585C CAULK OUTLET
 Fig. 2585T THREADED OUTLET

Δ add 7/16"(11) when bronze top is specified.
 $*5"$ (125) for threaded outlet.

NOTE: Dimensions shown in parentheses are in millimeters.

REGULARLY FURNISHED:
 Duco Cast Iron Body with Secured Grate.

VARIATIONS:

- Flashing Clamp -C
- Less Grate -LG
- NO-HUB Adaptor (Specify Fig. 2646Y)
- Vandal Proof Grate -U

OPTIONAL MATERIALS:

- Ductile Iron Grate -M
- Galvanized Cast Iron -G
- Nickel Bronze Top -NB
- Polished Bronze Top -PB

DRAWING NUMBER
S2585

SIZE
A

SCALE:
NONE

DATE:
5-17-85

APPROVED BY:
TD

CHECKED BY:
TD

DRAWN BY:
PJ

2585

WE CAN ASSUME NO RESPONSIBILITY FOR USE OF SUPERSEDED OR VOID DATA

DIMENSIONS ARE SUBJECT TO MANUFACTURERS TOLERANCE AND CHANGE WITHOUT NOTICE

D	12-30-98	Revised Callout	CMD	BS
C	4-14-97	Added Millimeters	EMB	BS
REV.	DATE	DESCRIPTION	BY	CKD. BY

WEIGHT POUNDS	VOLUME CUBIC FEET

FIGURE NUMBER 2585
