

E



**JAY R. SMITH MFG. CO.**  
 DIVISION OF SMITH INDUSTRIES, INC.  
 POST OFFICE BOX 3237  
 MONTGOMERY, ALABAMA 36109-0237 (USA)  
 TEL: 334-277-8520 FAX: 334-272-7396 www.jrsmith.com



MEMBER OF:

LOCATION

DRAWING NUMBER  
S2475SIZE  
ASCALE:  
NONEDATE:  
5-22-89

APPROVED BY:

CHECKED BY:  
McDDRAWN BY:  
CMB

2475, 2478

FIGURE NUMBER

WE CAN ASSUME NO RESPONSIBILITY FOR USE OF SUPERSEDED OR VOID DATA

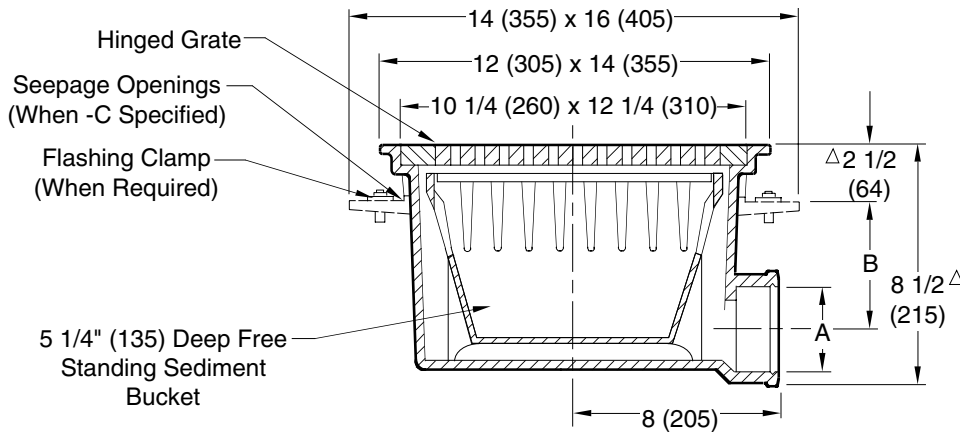
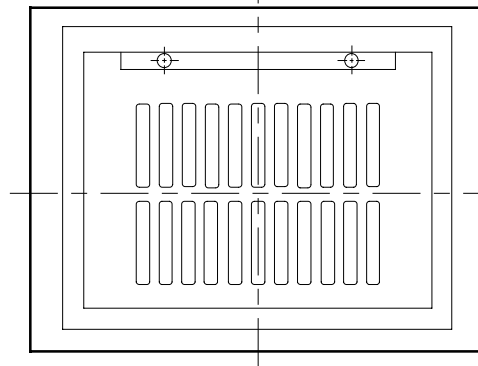
DIMENSIONS ARE SUBJECT TO MANUFACTURERS TOLERANCE AND CHANGE WITHOUT NOTICE

# TRAFFIC FLOOR DRAINS

## HEAVY DUTY DRAINS WITH SIDE OUTLET HINGED GRATE AND FREE STANDING SEDIMENT BUCKET

**FUNCTION:** Used in moderate traffic areas where hinged rectangular grate is required. Hinged top permits easy access for fast and frequent removal of sediment bucket.

Free Area  
47 SQ IN  
(309) SQ CM



### CAULK OUTLET

Fig. 2475C . . . LESS FLANGE  
 Fig. 2478C . . . WITH FLANGE

**NOTE:** Dimensions shown in parentheses are in millimeters.

A SIZE	02 (50)	03 (80)	04 (100)
B	4 (100)	3 1/2 (89)	3 (76)

△add 5/32" (4) when bronze top is specified.

### REGULARLY FURNISHED:

Duco Cast Iron Body with Heavy Duty Hinged Grate and Cast Iron Sediment Bucket.

### VARIATIONS:

Flashing Clamp -C (Fig. 2478 only)  
 Vandal Proof Grate -U

### OPTIONAL MATERIALS:

Aluminum Bucket -AB  
 Ductile Iron Grate -M  
 Galvanized Cast Iron -G  
 Nickel Bronze Top -NB  
 Polished Bronze Top -PB  
 Stainless Steel  
 (Specify Fig. 9755)

REV.	DATE	DESCRIPTION	BY	CKD. BY
E	8-23-05	Revised Dim	TBW	CL
D	6-19-95	Added Millimeters	EMB	BS
C	7-1-94	Revised	CMB	BS
B	10-14-93	Submittal Update	EMB	BS

WEIGHT POUNDS	VOLUME CUBIC FEET	FIGURE NUMBER
		<b>2475, 2478</b>