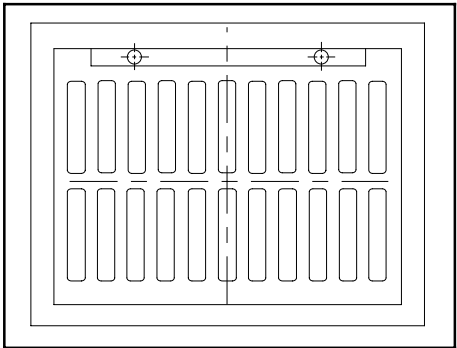


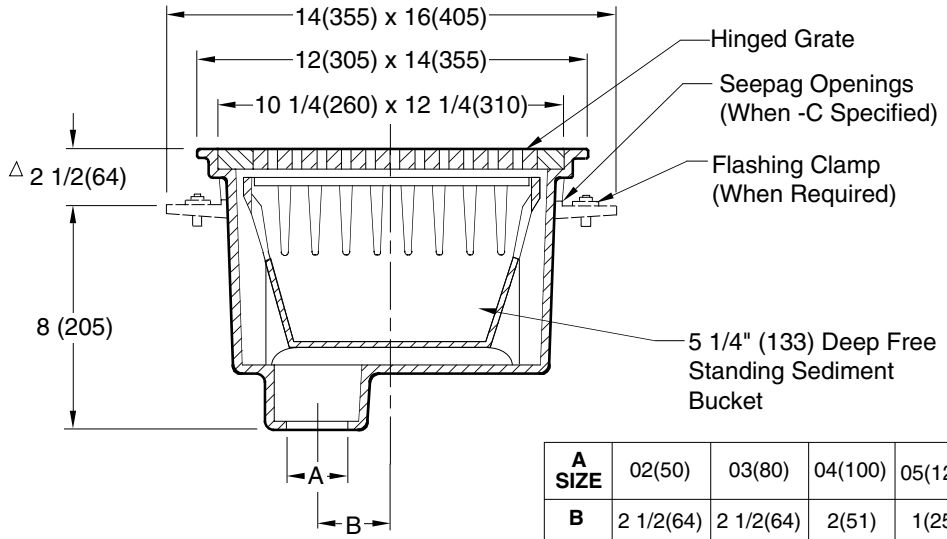
TRAFFIC FLOOR DRAINS

HEAVY DUTY DRAINS WITH OFFSET OUTLET HINGED GRATE AND FREE STANDING SEDIMENT BUCKET

FUNCTION: Used in moderate traffic areas where hinged rectangular grate is required. Hinged top permits easy access for fast and frequent removal of sediment bucket.



Free Area
47 SQ IN
(303) SQ CM



A SIZE	02(50)	03(80)	04(100)	05(125)	06(150)
B	2 1/2(64)	2 1/2(64)	2(51)	1(25)	1(25)

NOTE: Dimensions shown in parentheses are in millimeters.

- Fig. 2470C . . . LESS FLANGE
- Fig. 2473C . . . WITH FLANGE

△ add 5/32"(4) when bronze top is specified.

REGULARLY FURNISHED:
 Duco Cast Iron Body with Heavy Duty Hinged Grate and Cast Iron Sediment Bucket.

- VARIATIONS:**
- Flashing Clamp -C (Fig. 2473 only)
 - NO-HUB Adaptor (Specify Fig. 2646Y)
 - Vandal Proof Grate -U
 - T Threaded Outlet

- OPTIONAL MATERIALS:**
- Aluminum Bucket -AB
 - Ductile Iron Grate -M
 - Galvanized Cast Iron -G
 - Nickel Bronze Top -NB
 - Polished Bronze Top -PB
 - Stainless Steel (Specify Fig. 9755)

DRAWING NUMBER S2470
 SIZE A
 SCALE: NONE
 DATE: 5-22-89
 APPROVED BY: SB
 CHECKED BY: McD
 DRAWN BY: CMB
2470, 2473
 DIMENSIONS ARE SUBJECT TO MANUFACTURERS TOLERANCE AND CHANGE WITHOUT NOTICE

E D C B	8-23-05 4-9-97 1-31-94 10-7-93	Revised Dim Added Millimeters Chg'd Free Area, Dwg., Opt Mat Submittal Update	TBW EMB EMB EMB	CL BS BS BS	WEIGHT POUNDS	VOLUME CUBIC FEET	FIGURE NUMBER <h1 style="margin: 0;">2470, 2473</h1>
REV.	DATE	DESCRIPTION	BY	CKD. BY			