

E



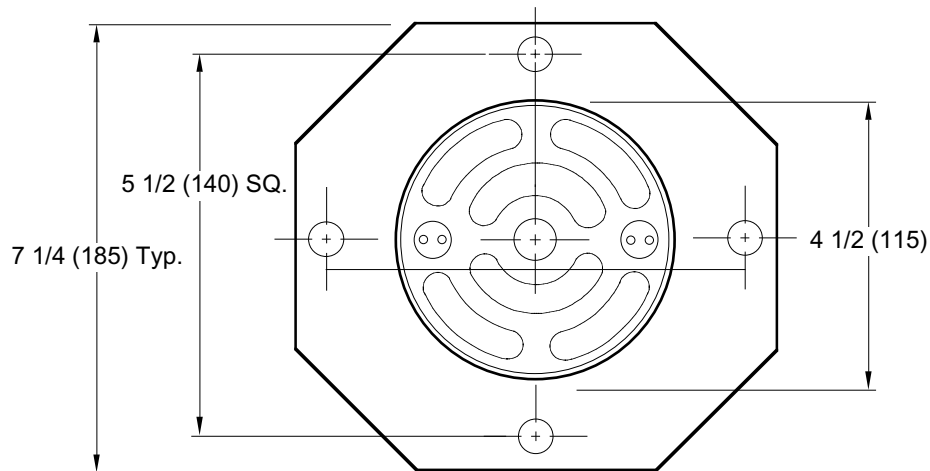
**JAY R. SMITH MFG. CO.**  
 DIVISION OF SMITH INDUSTRIES, INC.  
 POST OFFICE BOX 3237  
 MONTGOMERY, ALABAMA 36109-0237 (USA)  
 TEL: 334-277-8520 FAX: 334-272-7396 www.jrsmith.com



MEMBER OF:

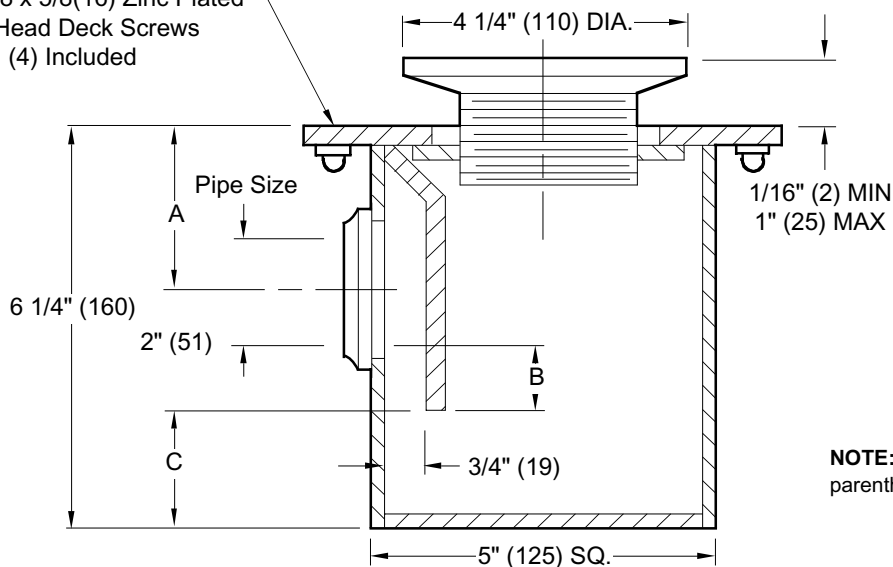
LOCATION

## PENAL USE VANDAL PROOF SHOWER DRAIN



TOP VIEW

5/16(8)-18 x 5/8(16) Zinc Plated  
 Flat Head Deck Screws  
 (4) Included



**NOTE:** Dimensions shown in parentheses are in millimeters.

### REGULARLY FURNISHED:

Duco Coated Fabricated Steel Body,  
 Flanged Deck Top, Vandal Proof  
 Polished Bronze Adjustable Strainer  
 Head, Integral Trap and Threaded Outlet.

Pipe Size	A	B (Trap Seal)	C
0150 (40)	2 1/2 (64)	1 1/4 (32)	1 3/4 (44)
02 (50)	2 1/2 (64)	1 (25)	1 3/4 (44)
03 (80)	3 (76)	1/2 (13)	1 1/4 (32)

DRAWING NUMBER  
S2016SIZE  
ASCALE:  
NONEDATE:  
12-11-90APPROVED BY:  
McDCHECKED BY:  
JMDRAWN BY:  
EMB

2016

WE CAN ASSUME NO RESPONSIBILITY FOR USE OF SUPERSEDED OR VOID DATA

DIMENSIONS ARE SUBJECT TO MANUFACTURERS TOLERANCE AND CHANGE WITHOUT NOTICE

FIGURE  
NUMBER

REV.	DATE	DESCRIPTION	BY	CKD. BY
E D	04/28/04 4-8-97	Removed Tab from Strainer Head Added Millimeters	JJ EMB	BW BS

WEIGHT POUNDS	VOLUME CUBIC FEET	FIGURE NUMBER
		<b>2016</b>