

FLOOR OR SHOWER DRAIN

DRAWING NUMBER: **S2010 (-TT)**

SIZE: **A**

SCALE: **NONE**

DATE: **12-11-68**

APPROVED BY: **WZ**

CHECKED BY: **WZ**

DRAWN BY: **BH**

FIGURE NUMBER: **2010 (-TT)**

WE CAN ASSUME NO RESPONSIBILITY FOR USE OF SUPERSEDED OR VOID DATA

DIMENSIONS ARE SUBJECT TO MANUFACTURERS TOLERANCE AND CHANGE WITHOUT NOTICE

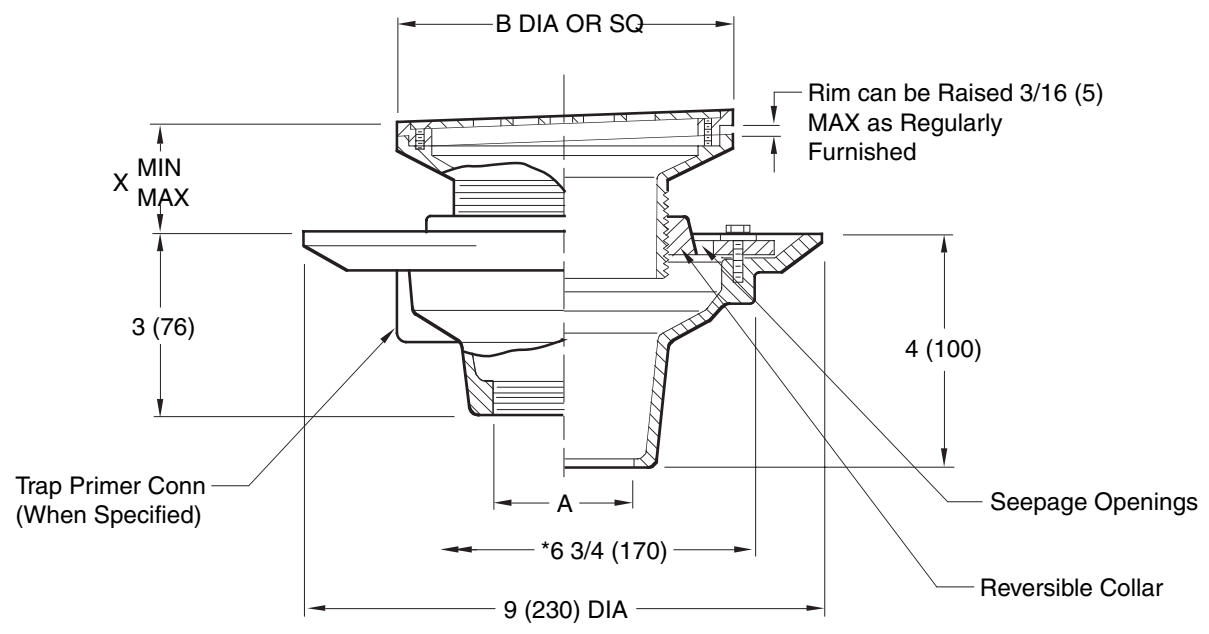


Fig. 2010C (-TT) CAULK OUTLET
 Fig. 2010T (-TT) THREADED OUTLET

NOTE: Dimensions shown in parentheses are in millimeters.
NOTE: * MIN 6 3/4 (170) hole required for core drilled applications.

A SIZE	B	MIN	X	MAX
02(50)	05(125)	1 1/2(38)	2 1/2(64)	
03(80)	06(150)	1 1/2(38)	2 1/2(64)	
04(100)	08(205)	1 3/4(44)	2 3/4(70)	

REGULARLY FURNISHED:
 Duco Cast Iron Body and Flashing Collar,
 Adjustable Strainer Head as Indicated by
 Suffix Letter Selected and Secured Grate.

- VARIATIONS:**
- Backwater Valve -V
 - Round Strainer Heads 07(180), 09(230) & 10(255)
 - Sediment Bucket -B
 - Trap Primer Connection -P050 1/2" (13) & -P075 3/4" (19)
 - Vandal Proof Screws -U

- OPTIONAL MATERIALS:**
- Cast Bronze Body -BB
 - Chrome Plated Top -C P
 - Galvanized Cast Iron Body -G
 - Nickel Bronze -NB
 - Polished Bronze Top -P B

REV.	DATE	DESCRIPTION	BY	CKD. BY	WEIGHT POUNDS	VOLUME CUBIC FEET	FIGURE NUMBER
J	7-18-95	Submittal Update	EMB	BS			2010 (-TT)
I	10-17-91	Rev. Reg. Furn.	CMB	BW			