

NO-HUB VERTICAL OFFSET WASTE FITTING

FOR USE WITH FLOOR MOUNTED BACK OUTLET WATER CLOSET

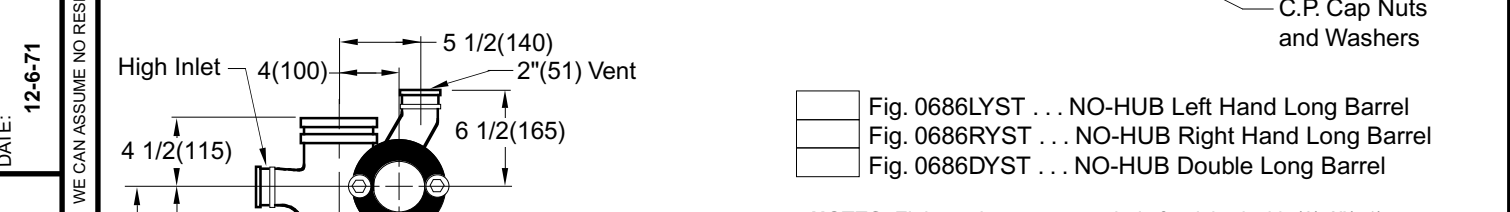
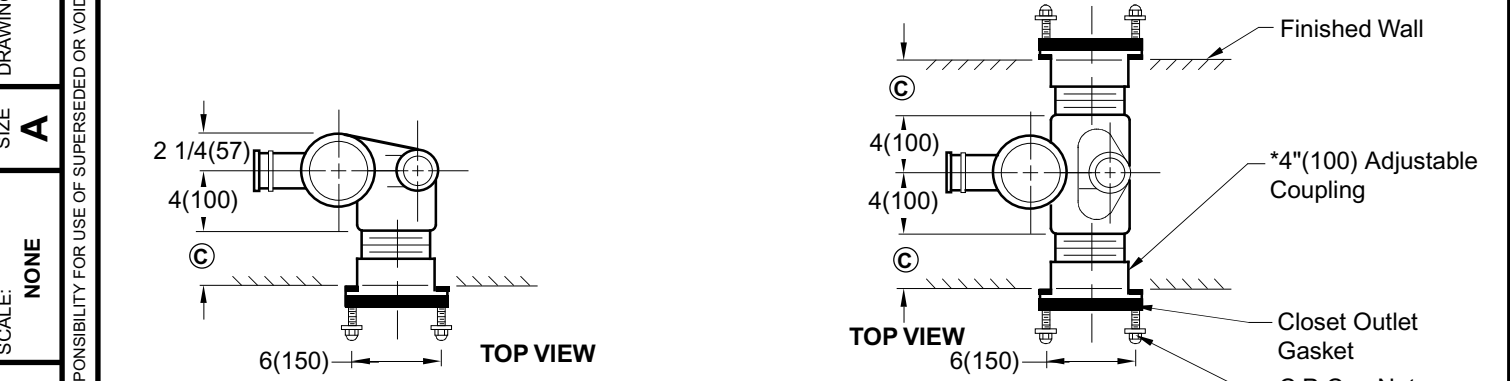
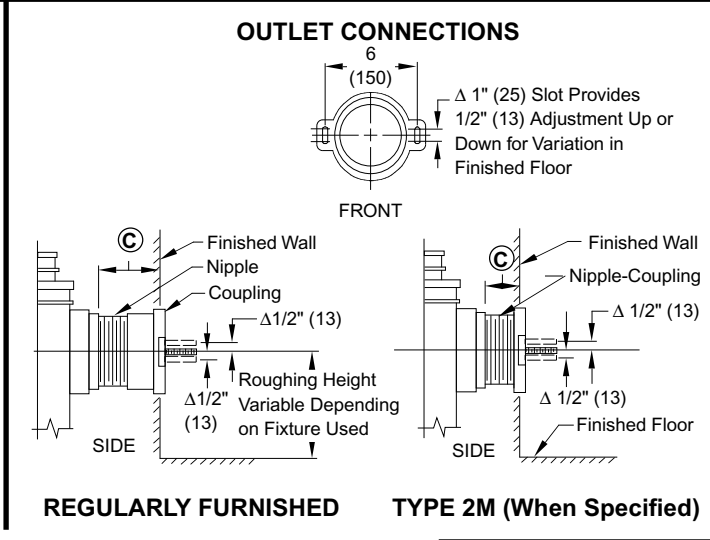
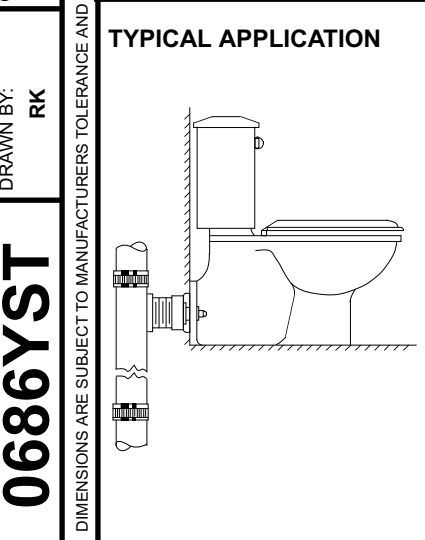


Fig. 0686LYST . . . NO-HUB Left Hand Long Barrel
Fig. 0686RYST . . . NO-HUB Right Hand Long Barrel
Fig. 0686DYST . . . NO-HUB Double Long Barrel

NOTES: Fittings shown are regularly furnished with (3) 2"(51) NO-HUB sanitary sweep inlet.
 © Dimension as regularly furnished permits a dimension of 3"(76) minimum to 4 1/2"(115) maximum coupling provides 3/4"(19) adjustment in either direction. Always specify © dimension required. Minimum © dimension of 1"(25) available using special male end coupling (see type 2M below). Coupling should extend 5/16"(8) beyond finished wall.

NOTE: Dimensions shown in parentheses are in millimeters.



NIPPLE LENGTHS AVAILABLE			
NIPPLE LENGTH	MIN	©	MAX
2 1/2 (64)	2 3/4 (70)	3 3/4 (95)	
*3 1/4 (83)	3 (76)	4 1/2 (115)	
4 1/2 (115)	4 1/4 (110)	5 3/4 (145)	
5 1/4 (135)	5 (125)	6 1/2 (165)	
6 1/4 (160)	6 (150)	7 1/2 (190)	
7 (180)	6 3/4 (170)	8 1/4 (210)	
8 1/4 (210)	8 (205)	9 1/2 (240)	
10 (255)	9 3/4 (250)	11 1/4 (285)	
12 (305)	11 3/4 (300)	13 1/4 (335)	
15 (380)	14 3/4 (375)	16 1/4 (415)	
18 (455)	17 3/4 (450)	19 1/4 (490)	

* Regularly Furnished

FIGURE NUMBER	GE	3-24-97 12-1-95 11-8-94	Added Millimeters Update Notes Submittal Update	EMB EMB EMB	BS JCS BS	WEIGHT POUNDS	VOLUME CUBIC FEET	FIGURE NUMBER
	REV.	DATE	DESCRIPTION	BY	CKD. BY			0686YST

DRAWING NUMBER: 0686YST, SIZE: A, SCALE: NONE, DATE: 12-6-71, APPROVED BY: RP, CHECKED BY: RP, DRAWN BY: RK, DIMENSIONS ARE SUBJECT TO MANUFACTURERS TOLERANCE AND CHANGE WITHOUT NOTICE, WE CAN ASSUME NO RESPONSIBILITY FOR USE OF SUPERSEDED OR VOID DATA