

C

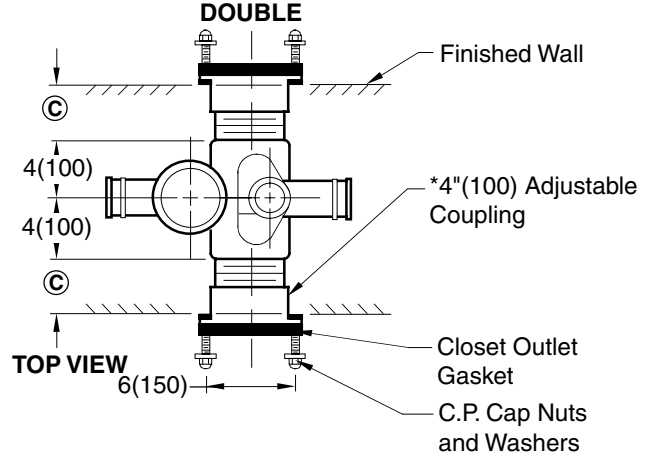
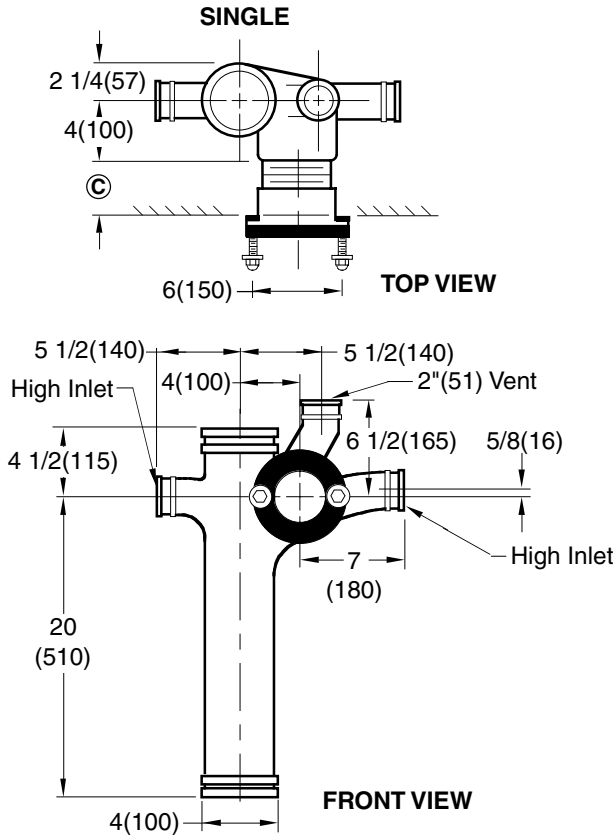
SMITH® JAY R. SMITH MFG. CO.
 DIVISION OF SMITH INDUSTRIES, INC.
 POST OFFICE BOX 3237
 MONTGOMERY, ALABAMA 36109-0237 (USA)
 TEL: 334-277-8520 FAX: 334-272-7396 www.jrsmith.com



LOCATION

NO-HUB VERTICAL OFFSET WASTE FITTING

FOR USE WITH FLOOR MOUNTED BACK OUTLET WATER CLOSET

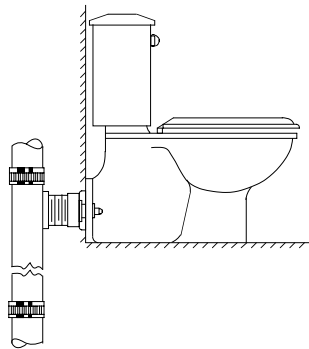


- Fig. 0678LY ... NO-HUB Left Hand Long Barrel
- Fig. 0678RY ... NO-HUB Right Hand Long Barrel
- Fig. 0678DY ... NO-HUB Double Long Barrel

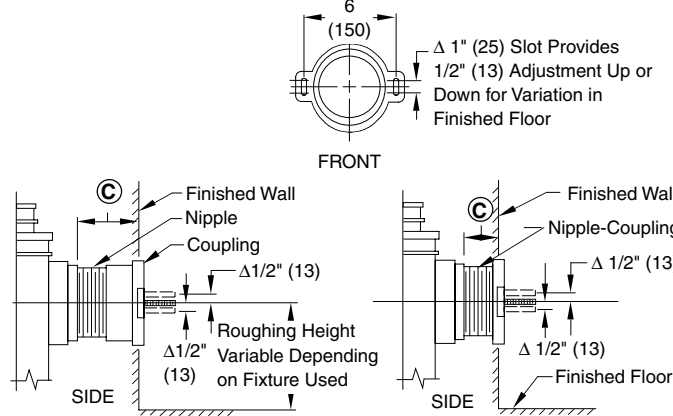
NOTES: Fittings shown are regularly furnished with (2) 2"(51) NO-HUB sanitary sweep inlet.
 © Dimension as regularly furnished permits a dimension of 3"(76) minimum to 4 1/2"(115) maximum coupling provides 3/4"(19) adjustment in either direction. Always specify © dimension required. Minimum © dimension of 1"(25) available using special male end coupling (see type 2M below). Coupling should extend 5/16"(8) beyond finished wall.

NOTE: Dimensions shown in parentheses are in millimeters.

TYPICAL APPLICATION



OUTLET CONNECTIONS



NIPPLE LENGTHS AVAILABLE

NIPPLE LENGTH	AVAILABLE		
	MIN	©	MAX
2 1/2 (64)	2 3/4 (70)		3 3/4 (95)
*3 1/4 (83)	3 (76)		4 1/2 (115)
4 1/2 (115)	4 1/4 (110)		5 3/4 (145)
5 1/4 (135)	5 (125)		6 1/2 (165)
6 1/4 (160)	6 (150)		7 1/2 (190)
7 (180)	6 3/4 (170)		8 1/4 (210)
8 1/4 (210)	8 (205)		9 1/2 (240)
10 (255)	9 3/4 (250)		11 1/4 (285)
12 (305)	11 3/4 (300)		13 1/4 (335)
15 (380)	14 3/4 (375)		16 1/4 (415)
18 (455)	17 3/4 (450)		19 1/4 (490)

* Regularly Furnished

0678Y

DRAWN BY: JH

CHECKED BY: RP

APPROVED BY:

DATE: 3-11-74

SCALE: NONE

SIZE: A

DRAWING NUMBER: S0678Y

DIMENSIONS ARE SUBJECT TO MANUFACTURERS TOLERANCE AND CHANGE WITHOUT NOTICE

WE CAN ASSUME NO RESPONSIBILITY FOR USE OF SUPERSEDED OR VOID DATA

REV.	DATE	DESCRIPTION	BY	CKD. BY
C	3-21-97	Added Millimeters	EMB	JCS
B	12-1-95	Update Notes	EMB	BS
A	11-8-94	Submittal Update	EMB	

WEIGHT POUNDS

VOLUME CUBIC FEET

FIGURE NUMBER

0678Y