

E
DRAWING NUMBER S0677Y
SIZE A
SCALE: NONE
DATE: 12-6-71
APPROVED BY:
CHECKED BY: RP
DRAWN BY: RK
FIGURE NUMBER 0677Y

WE CAN ASSUME NO RESPONSIBILITY FOR USE OF SUPERSEDED OR VOID DATA

DIMENSIONS ARE SUBJECT TO MANUFACTURERS TOLERANCE AND CHANGE WITHOUT NOTICE

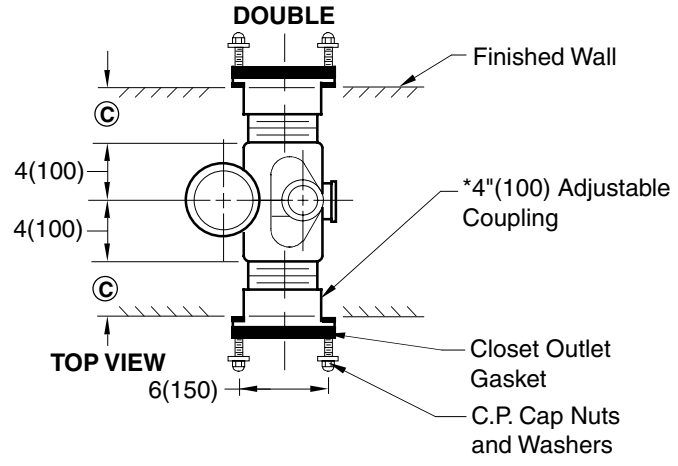
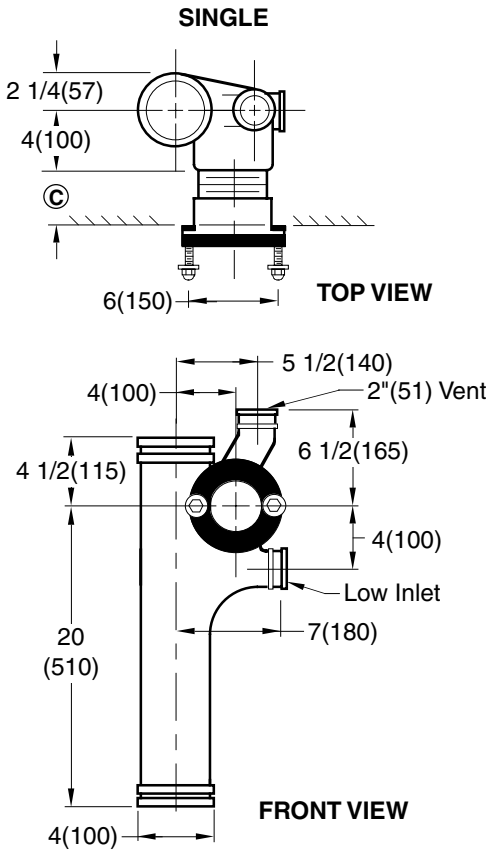
SMITH® JAY R. SMITH MFG. CO.
DIVISION OF SMITH INDUSTRIES, INC.
POST OFFICE BOX 3237
MONTGOMERY, ALABAMA 36109-0237 (USA)
TEL: 334-277-8520 FAX: 334-272-7396 www.jrsmith.com



LOCATION

NO-HUB VERTICAL OFFSET WASTE FITTING

FOR USE WITH FLOOR MOUNTED BACK OUTLET WATER CLOSET

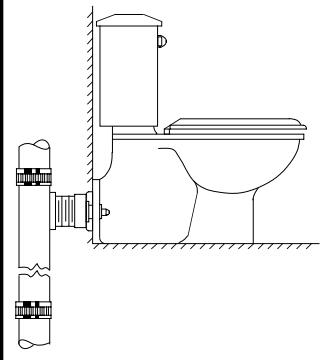


- Fig. 0677LY . . . NO-HUB Left Hand Long Barrel
- Fig. 0677RY . . . NO-HUB Right Hand Long Barrel
- Fig. 0677DY . . . NO-HUB Double Long Barrel

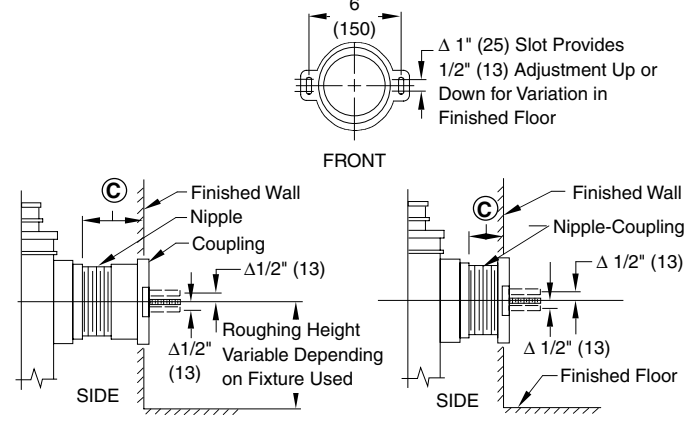
NOTES: Fittings shown are regularly furnished with (1) 2"(51) NO-HUB sanitary sweep inlet.
© Dimension as regularly furnished permits a dimension of 3"(76) minimum to 4 1/2"(115) maximum coupling provides 3/4"(19) adjustment in either direction. Always specify © dimension required.
Minimum © dimension of 1"(25) available using special male end coupling (see type 2M below).
Coupling should extend 5/16"(8) beyond finished wall.

NOTE: Dimensions shown in parentheses are in millimeters.

TYPICAL APPLICATION



OUTLET CONNECTIONS



REGULARLY FURNISHED **TYPE 2M (When Specified)**

NIPPLE LENGTHS AVAILABLE

NIPPLE LENGTH	MIN	©	MAX
2 1/2 (64)	2 3/4 (70)	3 3/4 (95)	
3 1/4 (83)	3 (76)	4 1/2 (115)	
4 1/2 (115)	4 1/4 (110)	5 3/4 (145)	
5 1/4 (135)	5 (125)	6 1/2 (165)	
6 1/4 (160)	6 (150)	7 1/2 (190)	
7 (180)	6 3/4 (170)	8 1/4 (210)	
8 1/4 (210)	8 (205)	9 1/2 (240)	
10 (255)	9 3/4 (250)	11 1/4 (285)	
12 (305)	11 3/4 (300)	13 1/4 (335)	
15 (380)	14 3/4 (375)	16 1/4 (415)	
18 (455)	17 3/4 (450)	19 1/4 (490)	

* Regularly Furnished

REV.	DATE	DESCRIPTION	BY	CKD. BY
E	3-7-97	Added Millimeters	EMB	BS
D	11-8-94	Submittal Update	EMB	BS

WEIGHT POUNDS	VOLUME CUBIC FEET
---------------	-------------------

FIGURE NUMBER
0677Y