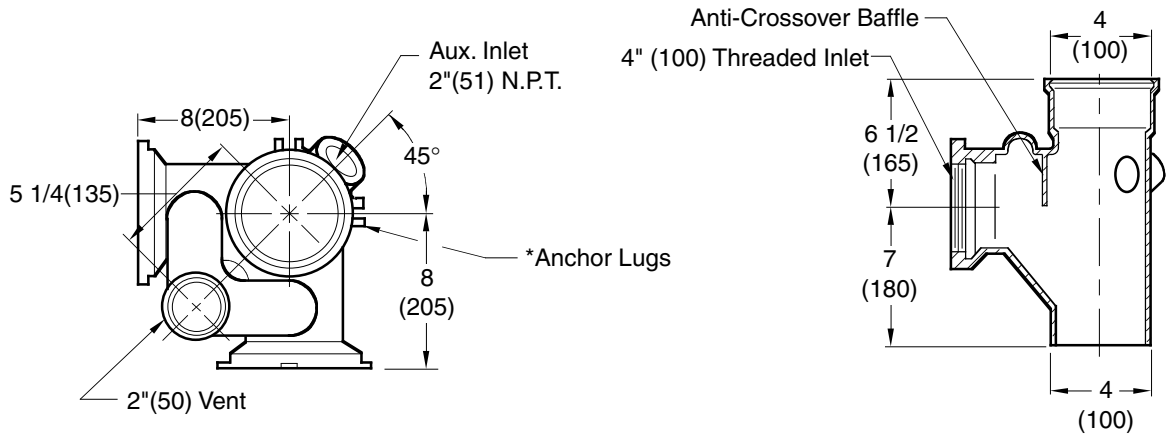


INLET STACK FITTINGS

90° DOUBLE VERTICAL STACK FITTING

FUNCTION: Recommended for use in institutions where one stack fitting serves two water closets. The 1 1/2"(38) or 2"(51) connection is provided for a lavatory waste when required.



- Fig. 0650 LESS AUX. INLET CONNECTION
- Fig. 0651 WITH 1 1/2"(38) OR 2"(51) N.P.T. AUX. INLET CONNECTION (SPECIFY SIZE)

*Rear anchor supports available. Specify Suffix M51.

NOTE: Dimensions shown in parentheses are in millimeters.

REGULARLY FURNISHED:
 Duco Cast Iron with Hub and Spigot Connection (2) 4"(100) Threaded Inlets and a 2"(51) Vent.

DRAWING NUMBER: S0650
 SIZE: A
 SCALE: NONE
 DATE: 4-18-84
 APPROVED BY: SJM
 CHECKED BY: SJM
 DRAWN BY: PJ
0650, 0651
 DIMENSIONS ARE SUBJECT TO MANUFACTURERS TOLERANCE AND CHANGE WITHOUT NOTICE

C	9-1-98	Revised Drawing	CMD	JCS	WEIGHT	VOLUME	FIGURE NUMBER
B	3-6-97	Added Millimeters	EMB	BS	POUNDS	CUBIC FEET	0650, 0651
A	7-29-93	Submittal Update	EMB	BS			
REV.	DATE	DESCRIPTION	BY	CKD. BY			