

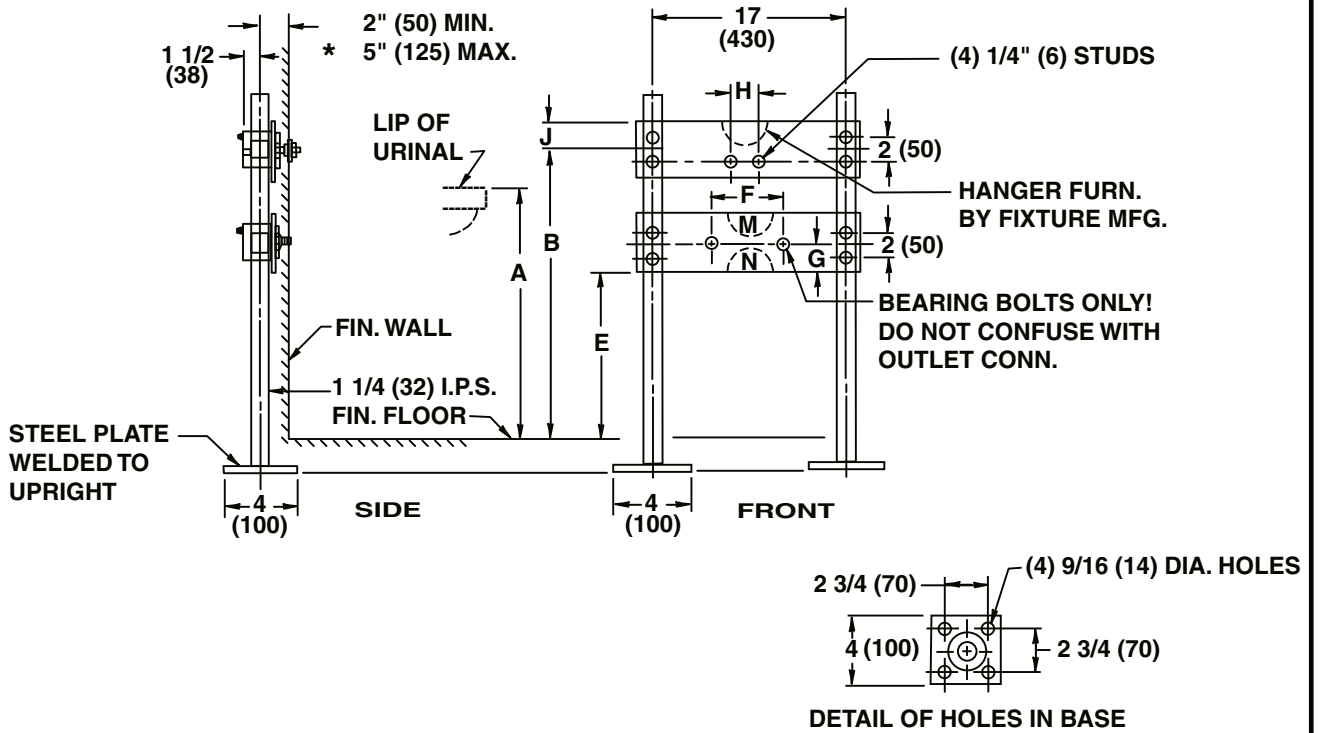


LOCATION

D
 DRAWING NUMBER s0644
 SIZE A
 SCALE: NONE
 DATE: 09/15/65
 APPROVED BY:
 CHECKED BY: R.P.
 DRAWN BY: S.L.
 FIGURE NUMBER 0644

WE CAN ASSUME NO RESPONSIBILITY FOR USE OF SUPERSEDED OR VOID DATA.
 DIMENSIONS ARE SUBJECT TO MANUFACTURER'S TOLERANCE AND CHANGE WITHOUT NOTICE.

**FIXTURE SUPPORT FLOOR MOUNTED TYPE
 WITH TOP SUPPORTING PLATE AND BOTTOM BEARING PLATE
 FOR BLOW-OUT AND WASHOUT URINALS WITH CONCEALED WALL HANGER**



ROUGHING-IN TABLE

FIXTURE MFG.		NAME		NUMBER				
A	B	E	F	G	H	J	M	N

NOTE: Dimensions shown in parentheses are in millimeters.

*** THIS DIMENSION CAN BE INCREASED WHEN FIXTURE SUPPORT IS TO BE INSTALLED BEHIND THE WALL (SPECIFY WHEN REQUIRED AND THICKNESS.)**

D	5-3-11	Revised, Added Note	TBW	AM	WEIGHT POUNDS	VOLUME CUBIC FEET	FIGURE NUMBER
C	9-25-00	REDREW SUBMITTAL PAGE	RN	CN			
B	3-17-80	WELDED BASES REPLACE CAST BLOCK BASE	TB	CL			
A	8-1-79	REVISED TOP SUPPORT PLATE	CO				0644
REV.	DATE	DESCRIPTION	BY	CKD. BY			