



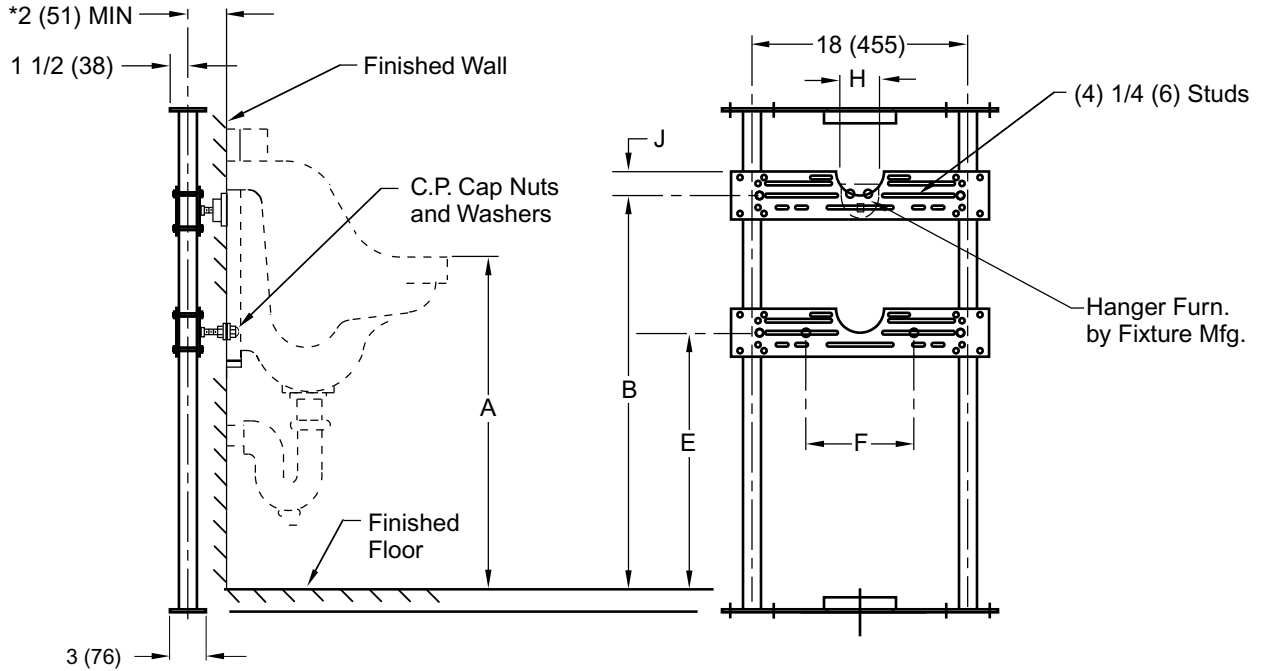
**JAY R. SMITH MFG. CO.**  
 DIVISION OF SMITH INDUSTRIES, INC.  
 POST OFFICE BOX 3237  
 MONTGOMERY, ALABAMA 36109-0237 (USA)  
 TEL: 334-277-8520 FAX: 334-272-7396 www.jrsmith.com



LOCATION

# LABOR SAVER URINAL SUPPORT FLOOR MOUNTED TYPE WITH TOP AND BOTTOM SUPPORTING PLATES AND STUDS

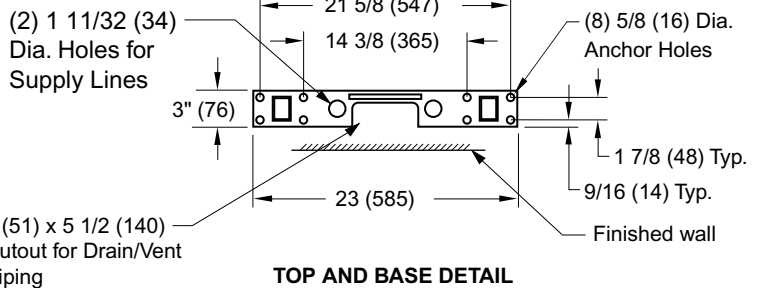
FOR WASHOUT URINALS WITH TOP SPUD AND BOTTOM OUTLET



**NOTE:** The rough-in dimensions listed on this drawing are based on current information available to Jay R. Smith by the fixture manufacturers. We recommend that you verify these dimensions with the fixture manufacturer. We will not accept responsibility for rough-in dimension changes by the fixture manufacturer.

**NOTE:** \*This dimension includes a wall thickness of 1/2". For greater wall thickness, specify centerline of upright to finished wall dimension.

**NOTE:** Dimensions shown in parentheses are in millimeters.



ROUGH-IN TABLE

FIXTURE MFG.	NAME	NUMBER	SIZE	A	B	E	F	H	J

D	12/06/02	Revised per George Flegel	JJ	AM
C	08/02/02	Redirected Cap Nuts arrow	JJ	AM
B	12/19/01	Changed Hole Size in Base	JJ	AM
A	09/19/01	Inserted new universal plate	JJ	AM
REV.	DATE	DESCRIPTION	BY	CKD. BY

WEIGHT POUNDS	VOLUME CUBIC FEET	FIGURE NUMBER
		<b>0628</b>

DRAWING NUMBER  
S0628

SIZE  
A

SCALE:  
NONE

DATE:  
07/11/01

APPROVED BY:  
AM

CHECKED BY:  
CR

DRAWN BY:  
JJ

0628

FIGURE NUMBER

DIMENSIONS ARE SUBJECT TO MANUFACTURERS TOLERANCE AND CHANGE WITHOUT NOTICE

WE CAN ASSUME NO RESPONSIBILITY FOR USE OF SUPERSEDED OR VOID DATA