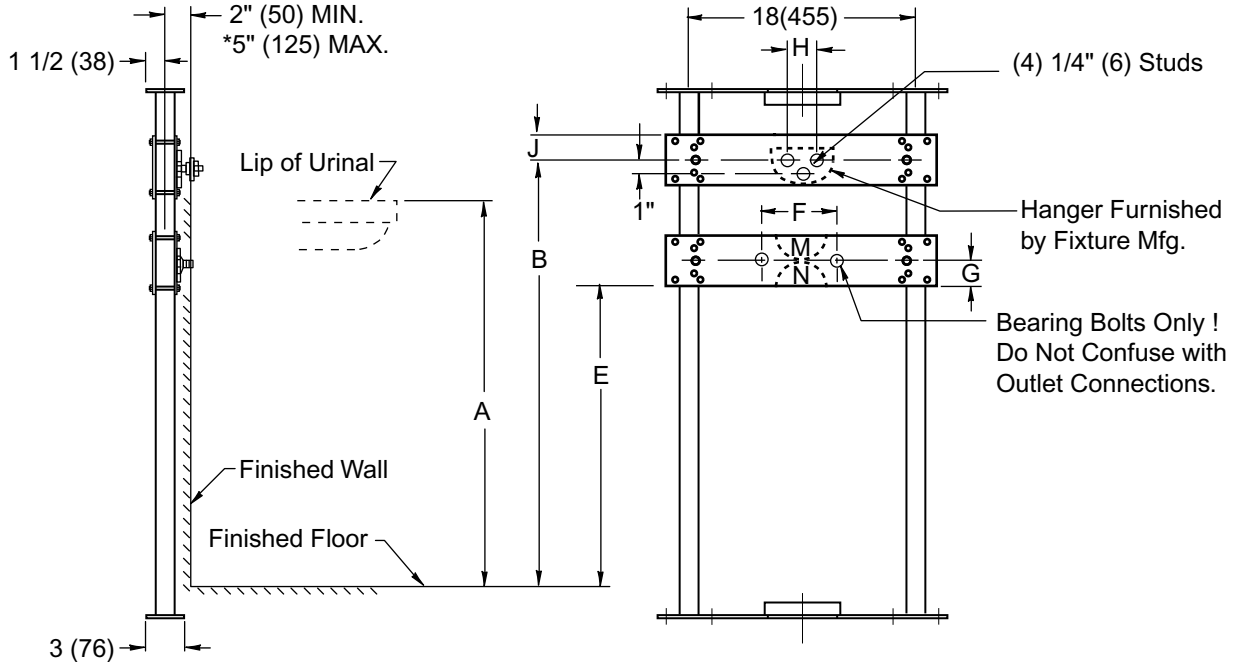


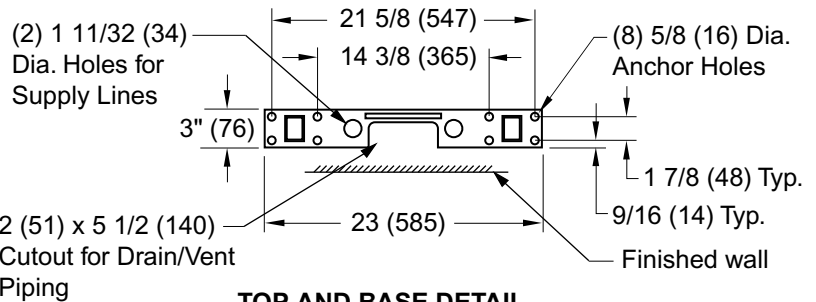
**LABOR SAVER URINAL SUPPORT FLOOR MOUNTED TYPE  
 WITH TOP SUPPORTING PLATE AND BOTTOM BEARING PLATE  
 FOR BLOW-OUT AND WASHOUT URINALS WITH CONCEALED WALL HANGER**



**NOTE:** The rough-in dimensions listed on this drawing are based on current information available to Jay R. Smith by the fixture manufacturers. We recommend that you verify these dimensions with the fixture manufacturer. We will not accept responsibility for rough-in dimension changes by the fixture manufacturer.

**NOTE:** \*This dimension can be increased when fixture support is to be installed behind the wall (specify when required and wall thickness).

**NOTE:** Dimensions shown in parenthesis are in millimeters.



**ROUGH-IN TABLE**

FIXTURE MFG.	NAME	NUMBER	SIZE
<b>A</b>	<b>B</b>	<b>E</b>	<b>F</b>

REV.	DATE	DESCRIPTION
E	12-29-03	Revised Dwg. & Chart
D	12/05/02	Revised per George Flegel
C	7-10-02	Changed "E" & Chart Size
B	12/19/01	Changed Hole Size in Base

BY	CKD. BY
RN JJ	AM AM
RN JJ	AM AM

WEIGHT POUNDS	VOLUME CUBIC FEET

FIGURE NUMBER
<b>0624</b>

DRAWING NUMBER: 0624  
 SIZE: A  
 SCALE: NONE  
 DATE: 04/10/01  
 APPROVED BY: AM  
 CHECKED BY: CR  
 DRAWN BY: JJ  
 FIGURE NUMBER: 0624

WE CAN ASSUME NO RESPONSIBILITY FOR USE OF SUPERSEDED OR VOID DATA.  
 DIMENSIONS ARE SUBJECT TO MANUFACTURER'S TOLERANCE AND CHANGE WITHOUT NOTICE.