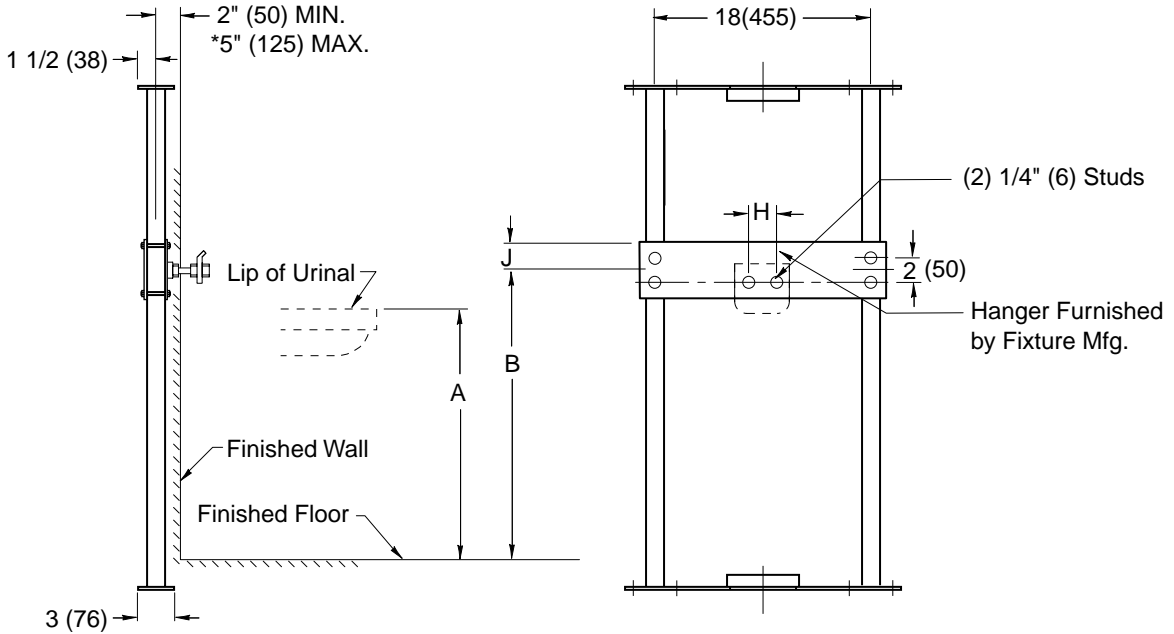


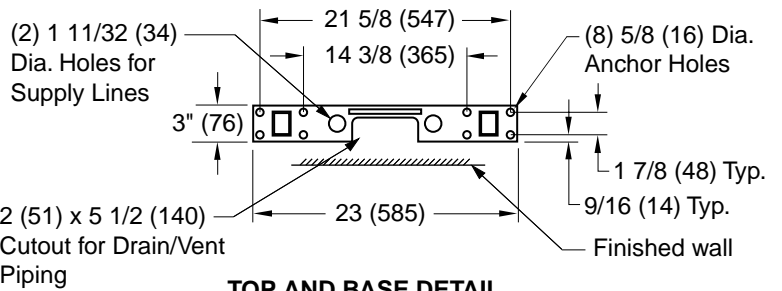
**LABOR SAVER URINAL SUPPORT FLOOR MOUNTED TYPE  
 WITH TOP SUPPORTING PLATE  
 FOR BLOW-OUT AND WASHOUT URINALS WITH CONCEALED WALL HANGER**



**NOTE:** The rough-in dimensions listed on this drawing are based on current information available to Jay R. Smith by the fixture manufacturers. We recommend that you verify these dimensions with the fixture manufacturer. We will not accept responsibility for rough-in dimension changes by the fixture manufacturer.

**NOTE:** \*This dimension can be increased when fixture support is to be installed behind the wall (specify when required and wall thickness).

**NOTE:** Dimensions shown in parenthesis are in millimeters.



**TOP AND BASE DETAIL**

**ROUGH-IN TABLE**

FIXTURE MFG.	NAME	NUMBER	SIZE	A	B	H	J

B  
 DRAWING NUMBER s0623  
 SIZE A  
 SCALE: NONE  
 DATE: 04/10/01  
 APPROVED BY: AM  
 CHECKED BY: CR  
 DRAWN BY: JJ  
 0623  
 DIMENSIONS ARE SUBJECT TO MANUFACTURER'S TOLERANCE AND CHANGE WITHOUT NOTICE.  
 WE CAN ASSUME NO RESPONSIBILITY FOR USE OF SUPERSEDED OR VOID DATA.

REV.	DATE	DESCRIPTION	BY	CKD. BY
B	12/05/02	Revised per George Flegel Changed Hole Size in Base	JJ	AM
A	12/19/01		JJ	AM

WEIGHT POUNDS

VOLUME CUBIC FEET

FIGURE NUMBER  
**0623**