



JAY R. SMITH MFG. CO.
 DIVISION OF SMITH INDUSTRIES, INC.
 POST OFFICE BOX 3237
 MONTGOMERY, ALABAMA 36109-0237 (USA)
 TEL: 334-277-8520 FAX: 334-272-7396 www.jrsmith.com

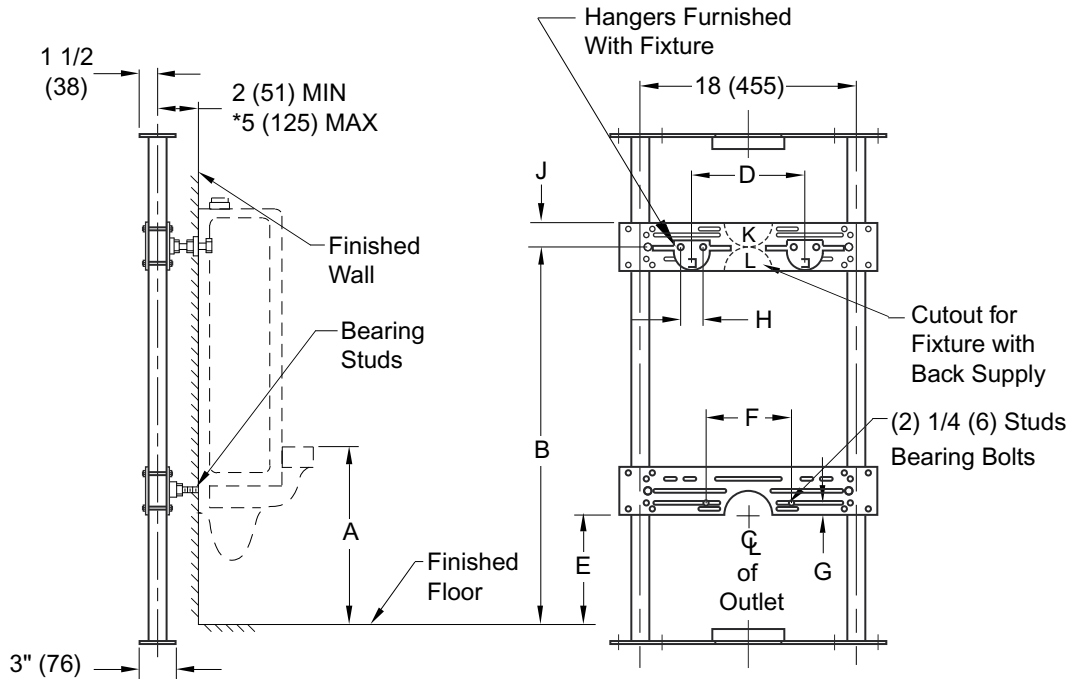


MEMBER OF:

LOCATION

LABOR SAVER URINAL SUPPORTS FOR OFF-THE-FLOOR URINALS

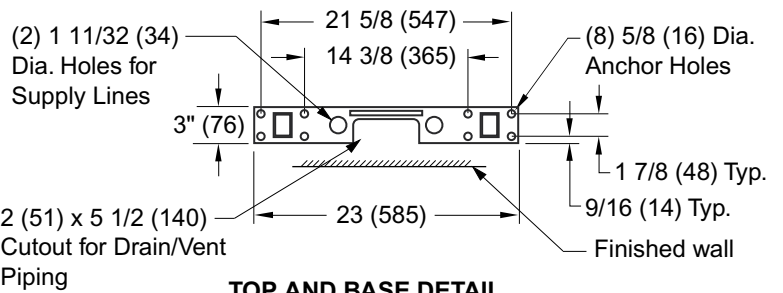
WITH PLATE FOR BLOWOUT AND WASHOUT URINALS WITH WALL HANGERS



NOTE: *This dimension can be increased when fixture support is to be installed behind the wall (specify when required and wall thickness).

NOTE: Dimensions shown in parentheses are in millimeters.

NOTE: The rough-in dimensions listed on this drawing are based on current information available to Jay R. Smith by the fixture manufacturers. We recommend that you verify these dimensions with the fixture manufacturer. We will not accept responsibility for rough-in dimension changes by the fixture manufacturer.



TOP AND BASE DETAIL

ROUGH-IN TABLE

FIXTURE MFG.		NAME		NUMBER		SIZE		CUTOUT FOR INLET	
A	B	D	E	F	G	H	J	K	L

DRAWING NUMBER
S0617

SIZE
A

SCALE:
NONE

DATE:
03/27/01

APPROVED BY:
AM

CHECKED BY:
CR

DRAWN BY:
JJ

FIGURE NUMBER
0617

WE CAN ASSUME NO RESPONSIBILITY FOR USE OF SUPERSEDED OR VOID DATA

DIMENSIONS ARE SUBJECT TO MANUFACTURERS TOLERANCE AND CHANGE WITHOUT NOTICE

D	5-9-03	Removed "C" in Table	RN	AM
C	11/06/02	Changed per George Flegel	JJ	AM
B	7/10/02	Revised "E" Dim. & Chart Size	RN	AM
A	12/19/01	Changed Hole Size in Base	JJ	AM
REV.	DATE	DESCRIPTION	BY	CKD. BY

WEIGHT POUNDS	VOLUME CUBIC FEET	FIGURE NUMBER 0617
------------------	----------------------	------------------------------