



**JAY R. SMITH MFG. CO.**  
 DIVISION OF SMITH INDUSTRIES, INC.  
 POST OFFICE BOX 3237  
 MONTGOMERY, ALABAMA 36109-0237 (USA)  
 TEL: 334-277-8520 FAX: 334-272-7396 www.jrsmith.com



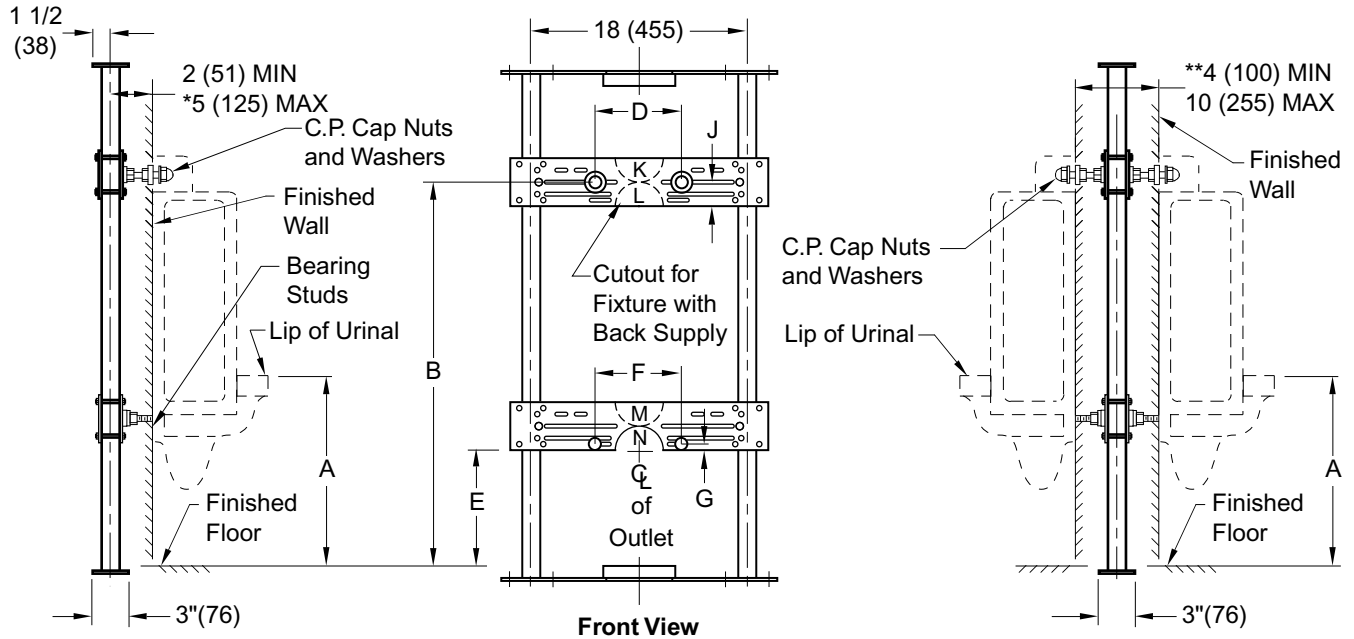
MEMBER OF:



LOCATION

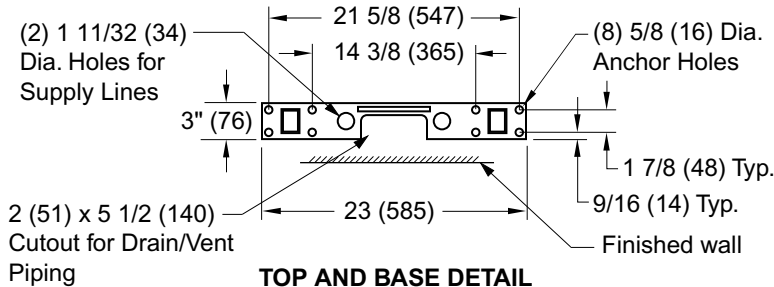
# LABOR SAVER URINAL SUPPORTS FOR OFF-THE-FLOOR URINALS

WITH SUPPORTING AND BEARING STUDS FOR BLOWOUT AND WASHOUT URINALS



**Fig. 0615**  
Side View

**Fig. 0615D**  
Side View



**TOP AND BASE DETAIL**

**ROUGH-IN TABLE**

FIXTURE MFG.		NAME		NUMBER		SIZE		CUTOUT FOR			
								INLET		OUTLET	
A	B	D	E	F	G	J	K	L	M	N	

**NOTE:** The rough-in dimensions listed on this drawing are based on current information available to Jay R. Smith by the fixture manufacturers. We recommend that you verify these dimensions with the fixture manufacturer. We will not accept responsibility for rough-in dimension changes by the fixture manufacturer.

**NOTE:** \*This dimension can be increased when fixture support is to be installed behind the wall (specify when required and wall thickness). \*\*This dimension can be increased when required (specify wall thickness).

**NOTE:** Dimensions shown in parentheses are in millimeters.

DRAWING NUMBER  
S0615

SIZE  
A

SCALE:  
NONE

DATE:  
03/27/01

APPROVED BY:  
AM

CHECKED BY:  
CR

DRAWN BY:  
JJ

FIGURE NUMBER  
0615

REV.	DATE	DESCRIPTION	BY	CKD. BY
D	5-9-03	Removed C in Table	RN	AM
C	11/06/02	Changed per George Flegel	JJ	AM
B	7-10-02	Changed "E" & Chart Size	RN	AM
A	12/19/01	Changed Hole Size in Base	JJ	AM

WEIGHT POUNDS	VOLUME CUBIC FEET	FIGURE NUMBER <b>0615</b>
------------------	----------------------	------------------------------

WE CAN ASSUME NO RESPONSIBILITY FOR USE OF SUPERSEDED OR VOID DATA

DIMENSIONS ARE SUBJECT TO MANUFACTURERS TOLERANCE AND CHANGE WITHOUT NOTICE