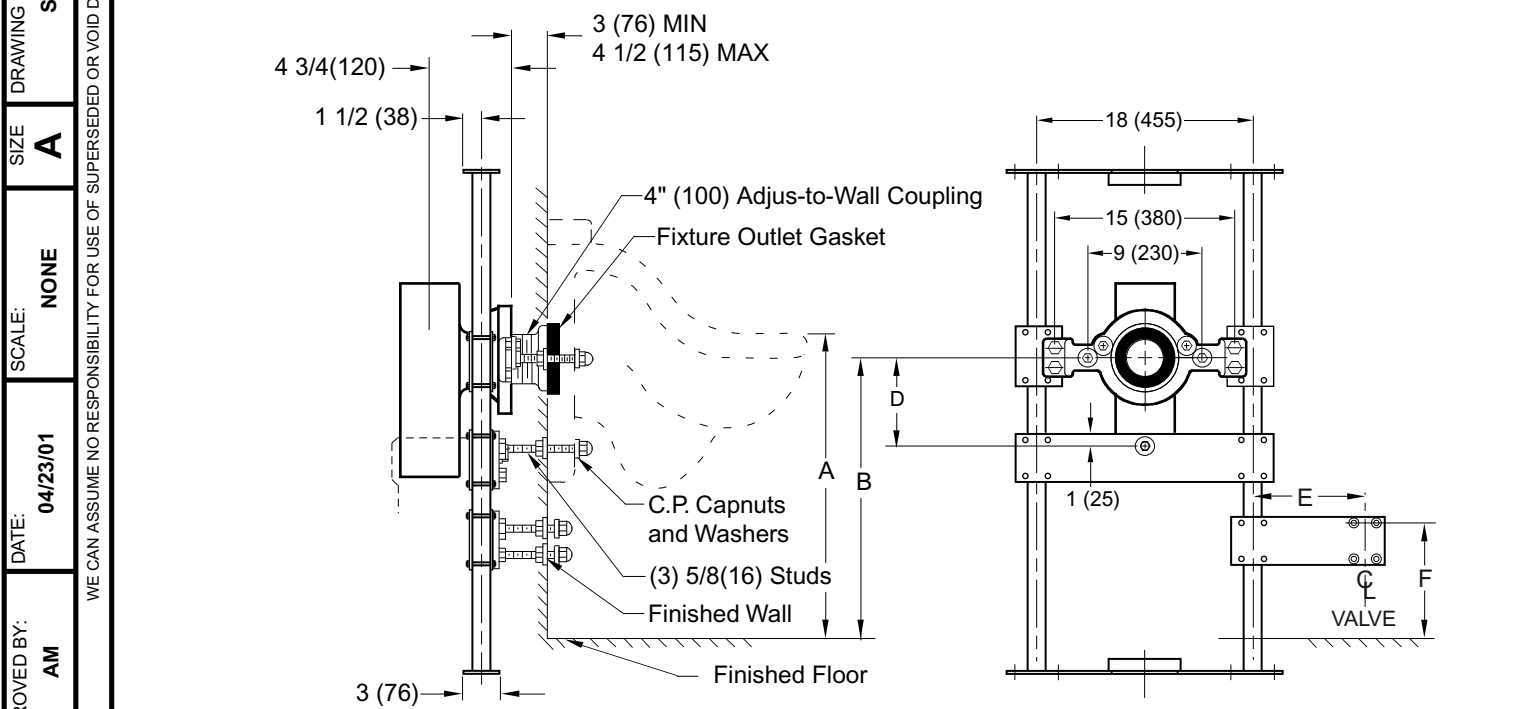


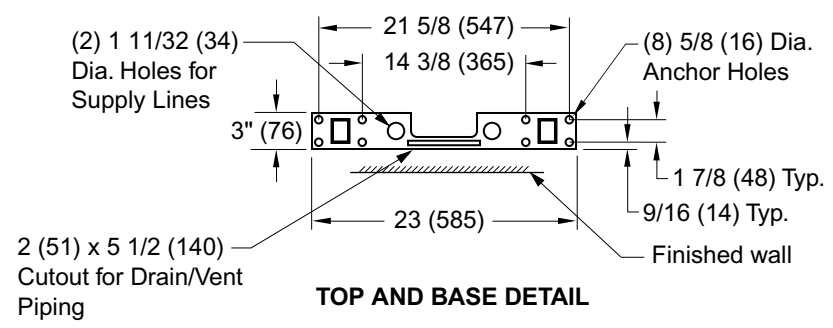
**LABOR SAVER URINAL SUPPORTS  
 FOR OFF-THE-FLOOR URINALS**

**WITH SUPPORTING STUDS AND WASTE FITTING, ADJUSTABLE COUPLING**



**NOTE:** The rough-in dimensions listed on this drawing are based on current information available to Jay R. Smith by the fixture manufacturers. We recommend that you verify these dimensions with the fixture manufacturer. We will not accept responsibility for rough-in dimension changes by the fixture manufacturer.

**NOTE:** The water closet gasket regularly furnished is made of molded neoprene and designed to fit water closet outlet dimensions and configurations shown in ANSI Standard A112.19.2M-1982, Figure 13B. If gasket is not found to be compatible to fixture due to nonconformance of said fixture to ANSI A112.19.2M, then fixture manufacturer shall be consulted for a suitable gasket recommendation. Jay R. Smith assumes no liability for connections to fixtures which do not conform to these standards.



**ROUGH-IN TABLE**

FIXTURE MFG.	NAME	NUMBER	SIZE	A	B	D	E	F

**NOTE:** Dimensions shown in parenthesis are in millimeters.

Specify size and type of fitting.   4" (100) "NO-HUB" WITH 2" (76) VENT  
  4" (100) "NO-HUB" WITH 4" (100) VENT

**0611Y-KW**

DRAWING NUMBER: **0611Y-KW**

SIZE: **A**

SCALE: **NONE**

DATE: **04/23/01**

APPROVED BY: **AM**

CHECKED BY: **CR**

DRAWN BY: **JJ**

DIMENSIONS ARE SUBJECT TO MANUFACTURERS TOLERANCE AND CHANGE WITHOUT NOTICE

WEIGHT POUNDS

VOLUME CUBIC FEET

FIGURE NUMBER

**0611Y-KW**

REV.	DATE	DESCRIPTION	BY	CKD. BY
B	12/05/02	Revised per George Flegel	JJ	AM
A	07/31/02	Revised View	JJ	AM