

COMPACT FIXTURE SUPPORTS WITHOUT WASTE FITTINGS FOR RESIDENTIAL TYPE SIPHON JET WATER CLOSETS

STUD-MOUNT FRAME

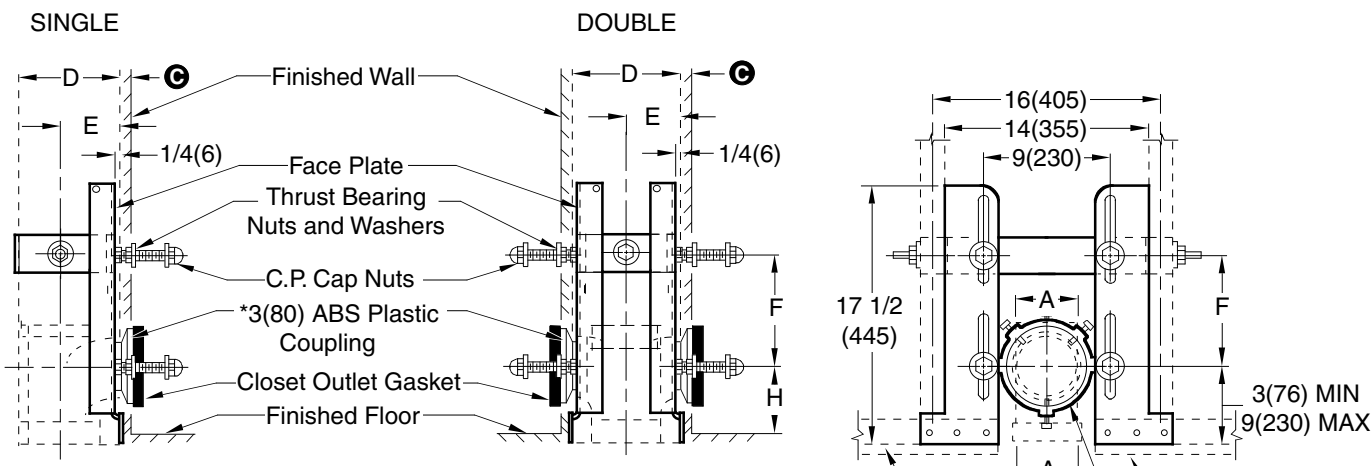


Fig. 0548P Side View

Fig. 0548DP Side View

Front View

Fig. 0548P . . . 3"(80) Plastic Connection
 Fig. 0548DP . . . 3"(80) Plastic Connection

Fig.	A SIZE	D STUD	E
0548P	3(75)	2 x 8	3 3/4(95)
0548DP	3(75)	2 x 10	4 3/4(120)

NOTE: Coupling should extend 5/16"(8) beyond finished wall.
NOTE: When using closet with bar hanger, add suffix-H to Fig. Numbers shown.
NOTE: See roughing-in table on reverse side for "F" and "H" dimensions and list of compatible fixtures. Double support for use with gravity flush tank type water closets only.

Ⓢ 1/2"(13) MIN to 1 1/4"(32) MAX as regularly furnished

INSTALLATION INSTRUCTIONS

- Center stack between two studs back "E" dimension (shown in table) from stud faces. 0548DP must be centered in sole plate.
- Cut out hole in sole plate and floor for stack.
- To determine the height of the stack in relation to the finished floor, find specific "H" dimension to be used, then measure down from centerline of closet outlet 2 15/16"(75) for 3"(80) size and 3 15/16"(100) for 4"(100) size.
- Make up stack connection.
- Attach plastic fitting adaptor and reinforcing strap to the back of the face plates by means of the fixture studs, then place assembly against plastic fitting and lock in place with set screws.
- Face plate should now be nailed to sole plate.
- The two vertical studs are set into place then drilled for permanently anchoring the reinforcing strap by means of the stud bolts, nuts and washers.
- Insert the coupling into the fitting and adjust it to extend 5/16"(8) beyond finished wall, then solvent weld into place.
- Assemble the bearing nuts and washers to the fixture supporting studs. The fixture studs should extend 2 1/4"(51) beyond finished wall.
- Adjust the bearing nuts so that washers extend 1/16"(2) beyond finished wall.
- After wall is erected, remove any plaster grout touching the fixture studs, bearing nuts, washers and coupling.
- Place gasket in closet recess and set closet on studs protruding from wall making sure closet outlet is centered on coupling.
- Place fiber washers on studs. Apply the two bottom and top left cap nuts, tighten securely. Apply the top right cap nut hand tight and snug up 1/4 turn with wrench.

NOTE: When installing closet with bar hanger support follow the same instructions as above, except that the hanger plate should be mounted on the top fixture studs. Adjust the top bearing nuts so that the face of the hanger extends 1/16"(2) beyond the finished wall, then lock in place with hex nuts.

NOTE: SEE REVERSE SIDE FOR ROUGH-IN TABLE.

NOTE: Dimensions shown in parentheses are in millimeters.

DRAWING NUMBER S0548P
 SIZE A
 SCALE: NONE
 DATE: 1-17-86
 APPROVED BY: SB
 CHECKED BY: JD
 DRAWN BY: CM
 FIGURE NUMBER 0548P, 0548DP

WE CAN ASSUME NO RESPONSIBILITY FOR USE OF SUPERSEDED OR VOID DATA
 DIMENSIONS ARE SUBJECT TO MANUFACTURERS TOLERANCE AND CHANGE WITHOUT NOTICE

REV.	DATE	DESCRIPTION	BY	CKD. BY	WEIGHT POUNDS	VOLUME CUBIC FEET	FIGURE NUMBER 0548P, 0548DP
		1-27-06 Revised Note & Removed Note 8-26-05 Revised Note 6-17-99 Removed Note 8-7-96 Added Millimeters 6-16-94 Submittal Update	RN TBW CMD EMB EMB	CL CL BS BS BS			

D



JAY R. SMITH MFG. CO.
 DIVISION OF SMITH INDUSTRIES, INC.
 POST OFFICE BOX 3237
 MONTGOMERY, ALABAMA 36109-0237 (USA)
 TEL: 334-277-8520 FAX: 334-272-7396 www.jrsmith.com



MEMBER OF:

LOCATION

ROUGH-IN TABLE FOR RESIDENTIAL WATER CLOSETS

DIMENSION "H" ROUGH-IN HEIGHTS

FIXTURE MFG.	NAME	NUMBER	F	H
AM. STD.	GLENWALL	2093.100	7 1/2 (190)	4 1/8 (105)
CRANE	REXMONT	3-217	7 1/2 (190)	4 (100)
ELJER	WALFORD	091-7925, 7926, 7928, 7933	7 1/2 (190)	6 3/4 (170)

NOTE: The rough-in dimensions listed on this drawing are based on current information available to Jay R. Smith by the fixture manufacturers. We recommend that you verify these dimensions with the fixture manufacturer. We will not accept responsibility for rough-in dimension changes by the fixture manufacturer.

NOTE: Dimensions shown in parentheses are in millimeters.

DRAWING NUMBER
S0500BSSIZE
ASCALE:
NONEDATE:
1-24-86APPROVED BY:
SBCHECKED BY:
JDDRAWN BY:
CMFIGURE NUMBER
0500 SERIESWE CAN ASSUME NO RESPONSIBILITY FOR USE OF SUPERSEDED OR VOID DATA
DIMENSIONS ARE SUBJECT TO MANUFACTURERS TOLERANCE AND CHANGE WITHOUT NOTICE

REV.	DATE	DESCRIPTION	BY	CKD. BY	WEIGHT POUNDS	VOLUME CUBIC FEET	FIGURE NUMBER
D	1-27-06	Added NOTE to BS	RN	CL			0500 SERIES
C	8-26-05	Revised Table	TBW	CL			
B	8-1-96	Added Millimeters	EMB	BS			
A	7-20-93	Submittal Update	EMB	BS			