

B

DRAWING NUMBER
S0250Y-M58-M54-XX

SIZE
A

SCALE:
NONE

DATE:
10/10/07

APPROVED BY:
CL

CHECKED BY:
CL

DRAWN BY:
JJ

FIGURE NUMBER
0250Y-M58-M54-XX

SMITH® JAY R. SMITH MFG. CO.®
 DIVISION OF SMITH INDUSTRIES, INC.
 POST OFFICE BOX 3237
 MONTGOMERY, ALABAMA 36109-0237 (USA)
 TEL: 334-277-8520 FAX: 334-272-7396 www.jrsmith.com



LOCATION

ADJUSTABLE FIXTURE SUPPORTS FOR SIPHON JET WATER CLOSETS - SHALLOW ROUGH-IN TYPE

NO-HUB VERTICAL FITTINGS WITH TWO SIDE INLETS EXTRA HEAVY DUTY - 750 LBS.

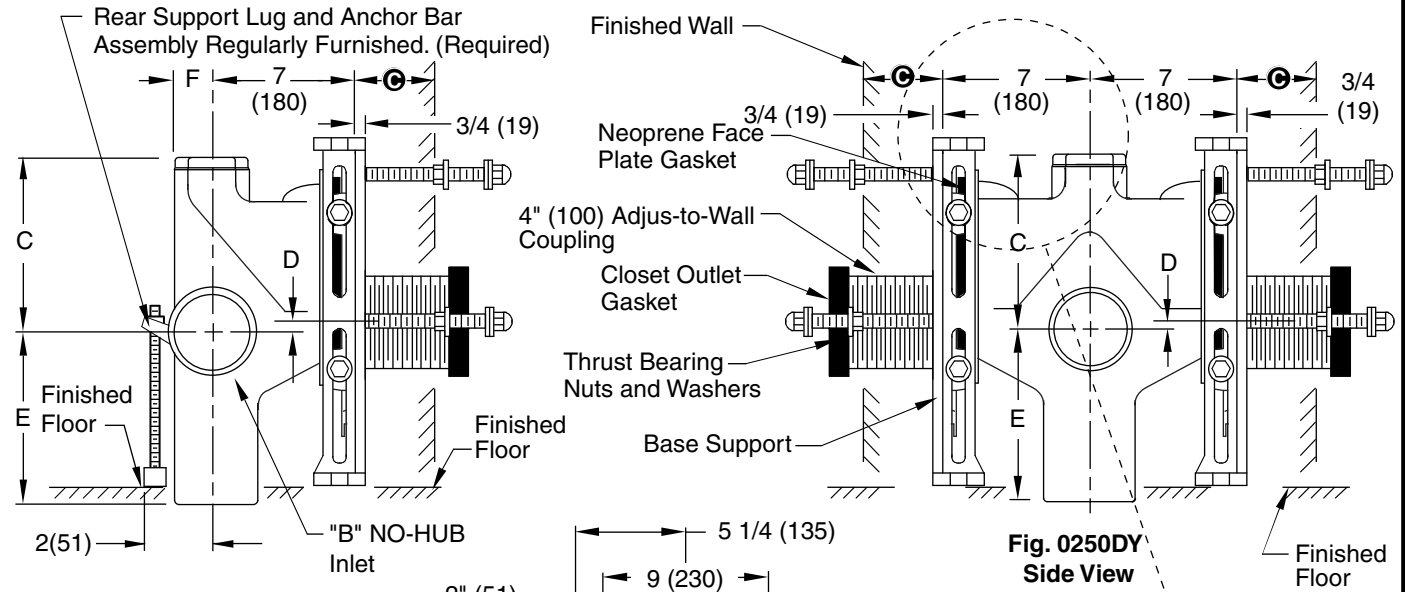


Fig. 0250Y Side View

Fig. 0250DY Side View

Fig. 0250Y-M58-M54-XX...NO-HUB
 Fig. 0250DY-M58-M54-XX...NO-HUB Double

Jay R. Smith 0250Y-M58-M54-XX complies with and/or exceeds all requirements of ASME A112.6.1M up to 750 lbs.

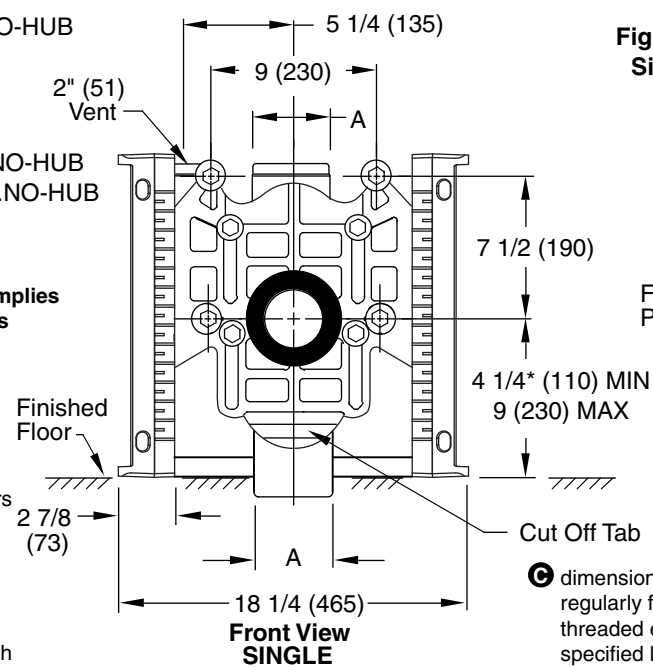
NOTE: Base support must be securely anchored to floor with 1/2" (13) anchors able to withstand a pull-out force of 500 lbs (227 kg). The rear anchor bar must be securely anchored to floor with 1/2" (13) anchors able to withstand a pull-out force of 1000 lbs (454 kg). Pull-out forces are calculated values, no safety factor has been applied.

NOTE: Shallower minimum rough-in dimension to accommodate lower rough bowls available. Specify dimension required.

NOTE: C of stack to end of NO-HUB side inlet in 5" (125).

NOTE: Dimensions shown in parentheses are in millimeters.

NOTE: 9" (230) core drilled hole is required for rough-in 4 1/4 (110) thru 6 1/2 (165).



Front View SINGLE

⊙ dimension = 3 1/4" (83) - 9 3/4" (247) with regularly furnished 10" (255) nipple. The threaded end of nipple must be cut to specified length required by others.

A x B Size	C	D		E	F
		MIN	MAX		
4 (100) x 4 (100)	9 (230)	1 1/2 (38)	4 1/4 (110)	14 (355)	2 1/4 (57)
5 (125) x 4 (100)	11 1/2 (290)	1 1/2 (38)	4 1/4 (110)	11 1/2 (290)	2 3/4 (70)
5 (125) x 5 (125)	11 1/2 (290)	1 1/2 (38)	4 1/4 (110)	11 1/2 (290)	2 3/4 (70)
6 (150) x 4 (100)	11 1/2 (290)	1 1/2 (38)	4 1/4 (110)	11 1/2 (290)	3 1/4 (83)
6 (150) x 5 (125)	11 1/2 (290)	1 1/2 (38)	4 1/4 (110)	11 1/2 (290)	3 1/4 (83)

WE CAN ASSUME NO RESPONSIBILITY FOR USE OF SUPERSEDED OR VOID DATA

DIMENSIONS ARE SUBJECT TO MANUFACTURERS TOLERANCE AND CHANGE WITHOUT NOTICE

REV.	DATE	DESCRIPTION	BY	CKD. BY
B A	11/20/09 5-13-08	3/4 (19) was 1/2 (13) Revised Note	JJ TBW	CL CL

WEIGHT POUNDS	VOLUME CUBIC FEET	FIGURE NUMBER 0250Y-M58-M54-XX
------------------	----------------------	--