



JAY R. SMITH MFG. CO.
 DIVISION OF SMITH INDUSTRIES, INC.
 POST OFFICE BOX 3237
 MONTGOMERY, ALABAMA 36109-0237 (USA)
 TEL: 334-277-8520 FAX: 334-272-7396 www.jrsmith.com



MEMBER OF:

LOCATION

ADJUSTABLE FIXTURE SUPPORTS FOR SIPHON JET WATER CLOSETS - SHALLOW ROUGH-IN TYPE

NO-HUB VERTICAL FITTINGS WITH TWO SIDE INLETS

SINGLE

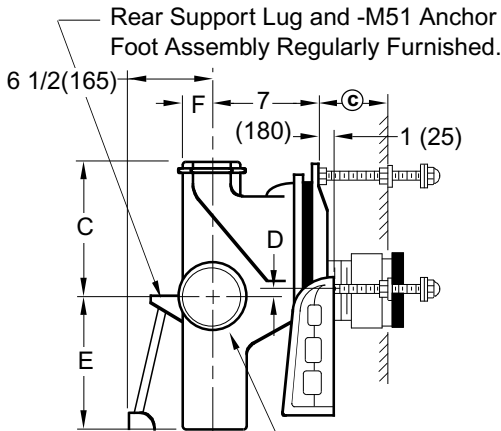


Fig. 0250Y "B" NO-HUB Side View Inlet

DOUBLE

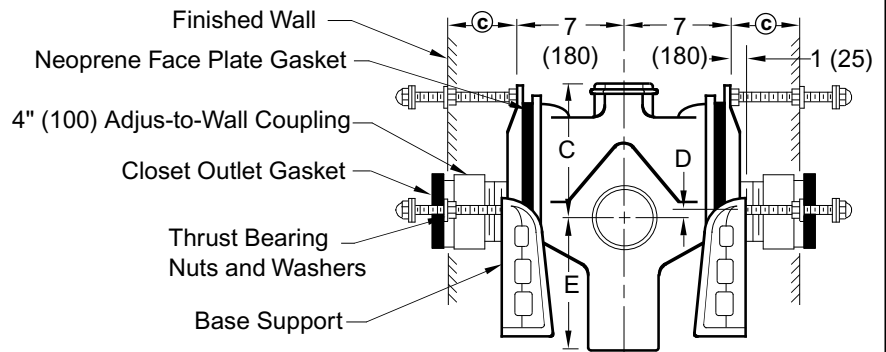


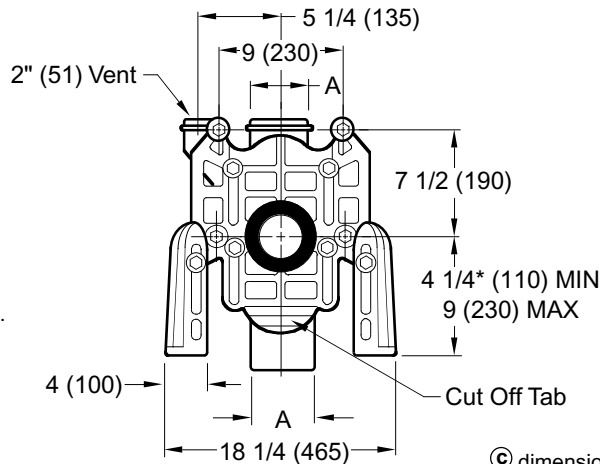
Fig. 0250DY Side View

NOTE: Base support must be securely anchored to floor (with four 1/2" (13) bolts provided by contractor).

NOTE: C of stack to end of NO-HUB side inlet in 5" (125).

NOTE: Dimensions shown in parentheses are in millimeters.

***NOTE:** 9" (230) core drilled hole is required for rough-in 4 1/4 (110) thru 6 1/2 (165).



Front View

The water closet gasket regularly furnished is made of molded neoprene and designed to fit water closet outlet dimensions and configurations shown in ANSI Standard A112.19.2M-1995, Figure 13B. If gasket is not found to be compatible to fixture due to nonconformance of said fixture to ANSI A112.19.2M, then fixture manufacturer shall be consulted for a suitable gasket recommendation. Jay R. Smith assumes no liability for connections to fixtures which do not conform to these standards.

© dimension = 4"(100) (regularly furnished) consisting of nipple and Adjus-to-Wall coupling permitting adjustment from 3"(76) min. to 4"(100) max.

□ Fig. 0250Y NO-HUB
 □ Fig. 0250DY . . . NO-HUB Double

A x B Size	C	D		E	F
		MIN	MAX		
4 (100) x 4 (100)	9 (230)	1 1/2 (38)	4 1/4 (110)	14 (355)	2 1/4 (57)
5 (125) x 4 (100)	11 1/2 (290)	1 1/2 (38)	4 1/4 (110)	11 1/2 (290)	2 3/4 (70)
5 (125) x 5 (125)	11 1/2 (290)	1 1/2 (38)	4 1/4 (110)	11 1/2 (290)	2 3/4 (70)
6 (150) x 4 (100)	11 1/2 (290)	1 1/2 (38)	4 1/4 (110)	11 1/2 (290)	3 1/4 (83)
6 (150) x 5 (125)	11 1/2 (290)	1 1/2 (38)	4 1/4 (110)	11 1/2 (290)	3 1/4 (83)

DRAWING NUMBER
S0250Y

SIZE
A

SCALE:
NONE

DATE:
2-28-86

APPROVED BY:
JD

CHECKED BY:
CR

DRAWN BY:
CM

FIGURE NUMBER
0250Y

WE CAN ASSUME NO RESPONSIBILITY FOR USE OF SUPERSEDED OR VOID DATA

DIMENSIONS ARE SUBJECT TO MANUFACTURERS TOLERANCE AND CHANGE WITHOUT NOTICE

REV.	DATE	DESCRIPTION	BY	CKD. BY	WEIGHT POUNDS	VOLUME CUBIC FEET	FIGURE NUMBER 0250Y
K	10/09/99	Deleted Note	JJ	BS			
J	7-1-98	Submittal Update	ASL	BS			
H	1-23-98	Chg'd Callout	EMB	BS			
G	12-9-96	Rev Table	EMB	BS			

MODIFICATIONS & VARIATIONS

Ⓒ DIMENSION - ADJUS-TO-WALL TYPE OUTLET CONNECTION

The Smith Adjus-to-Wall outlet connection provides adjustment at the face of the wall at the time the fixture is set; thus, compensating for wall construction variations. The **Ⓒ** dimension is measured from the front of the face plate to the finished wall. To properly determine the length of nipple required, deduct 1" (25) from the **Ⓒ** dimension. When the **Ⓒ** dimension exceeds 7" (180), the -M40 Wide Pipe Chase Support is recommended. The Adjus-to-Wall coupling will provide 1/2" (13) horizontal adjustment in either direction with the coupling extended 5/16" (8) past face of the finished wall.

Ⓒ dimension = 4" (100) (regularly furnished) consisting of nipple and adjus-to-wall coupling permitting adjustment from 3" (76) min. to 4" (100) max.

*ABS (Regularly Furnished) other length PVC.

NIPPLE LENGTHS AVAILABLE

LENGTH	MIN	Ⓒ	MAX
2 1/2 (64)	2 1/4 (57)		3 1/4 (83)
*3 1/4 (83)	3 (76)		4 (100)
*8 1/4 (210)	8 (205)		9 (230)
10 (255)	9 3/4 (250)		10 3/4 (275)
12 (305)	11 3/4 (300)		12 3/4 (325)
15 (380)	14 3/4 (376)		15 3/4 (400)
18 (455)	17 3/4 (450)		18 3/4 (475)

NOTE: When nipple lengths between 3 1/4" (83) and 8 1/4" (210) are specified, the 8 1/4" (210) nipple will be supplied. Nipple must be cut to specified length by others.

RECOMMENDED SETTING OF CLOSET OUTLET CONNECTION AND FIXTURE STUDS

Manufacturers have slight differences in the depth of the closet horn and flange thickness of their closets. Usually the fixture support closet connection should extend 5/16" (8) beyond face of finished wall (Dimension "R") and the fixture studs 2 1/4" (57) (Dimension "X"). For exact dimensions please use the formulas below.

DETAIL A Formula for "R" is: $S + 1/16" (2) - D = R$
 S = Depth of closet horn
 1/16" (2) = Distance closet is to set away from finished wall.
 D = 1/2" (13) for felt gasket and 3/8" (10) for neoprene gasket.
 R = Distance coupling should extend beyond finished wall.
 NOTE: When the fixture is installed, closet gasket must be compressed sufficiently to assure a gas and water-tight seal.

DETAIL B Formula for "X" is: $Y + 1/16" (2) + 9/16" (14) = X$
 Y = Thickness of closet wall flange.
 1/16" (2) = Distance closet is to set away from finished wall.
 X = Distance supporting stud should extend beyond finished wall.
 NOTE: Bearing nuts and washers must be set to take full loading from the fixture allowing 1/16" (2) clearance between fixture and wall.

NOTE: Dimensions shown in parentheses are in millimeters.

Exposed Flush Valve 4 3/4" (120) 10 1/2 (265) MIN 16 (405) MAX 10 (405) MAX

11 1/2" (290) Standard

Water Closet

Provides support and alignment for the supply pipe to an exposed flush valve; must be specified for either 1" (25) copper tube or 1" (25) iron pipe.

SUFFIX -M12 EXPOSED FLUSH VALVE SUPPLY SUPPORT

-M40 WATER CLOSET SUPPORT FOR WIDE PIPE CHASE (USE WHEN Ⓒ DIMENSION EXCEEDS 7" (180))

CONCEALED FLUSH VALVES

A concealed flush valve when used with a blowout water closet support will not clear the face plate. Therefore 4 1/2" (115) to 6 1/2" (165) is required from back of wall to face plate to permit the installation of the concealed flush valve piping.

SUFFIX -M13 TILING FRAME - POLYSTYRENE

FIGURE NUMBER	C	12-10-03	Revised Notes Added Millimeters Submittal Update	RN	CL	WEIGHT POUNDS	VOLUME CUBIC FEET	FIGURE NUMBER 0200/0300 Series Back Sheet
	B	6-1-95		EMB	BS			
REV.	DATE	DESCRIPTION	BY	CKD. BY				

DRAWING NUMBER: S0200BS
 SIZE: A
 SCALE: NONE
 DATE: 2-28-86
 APPROVED BY: JD
 CHECKED BY: CR
 DRAWN BY: VGD
 0200/0300 Series Back Sheet
 DIMENSIONS ARE SUBJECT TO MANUFACTURERS TOLERANCE AND CHANGE WITHOUT NOTICE
 WE CAN ASSUME NO RESPONSIBILITY FOR USE OF SUPERSEDED OR VOID DATA