

E



JAY R. SMITH MFG. CO.
 DIVISION OF SMITH INDUSTRIES, INC.
 POST OFFICE BOX 3237
 MONTGOMERY, ALABAMA 36109-0237 (USA)
 TEL: 334-277-8520 FAX: 334-272-7396 www.jrsmith.com



MEMBER OF:



LOCATION

DRAWING NUMBER
S0230Y-M54-XK

SIZE
A

SCALE:
NONE

DATE:
10/08/07

APPROVED BY:
CL

CHECKED BY:
CL

DRAWN BY:
JJ

0230Y-M54-XK

FIGURE NUMBER

ADJUSTABLE FIXTURE SUPPORTS FOR SIPHON JET WATER CLOSETS

NO-HUB VERTICAL FITTINGS BARIATRIC DUTY - 1000 LBS.

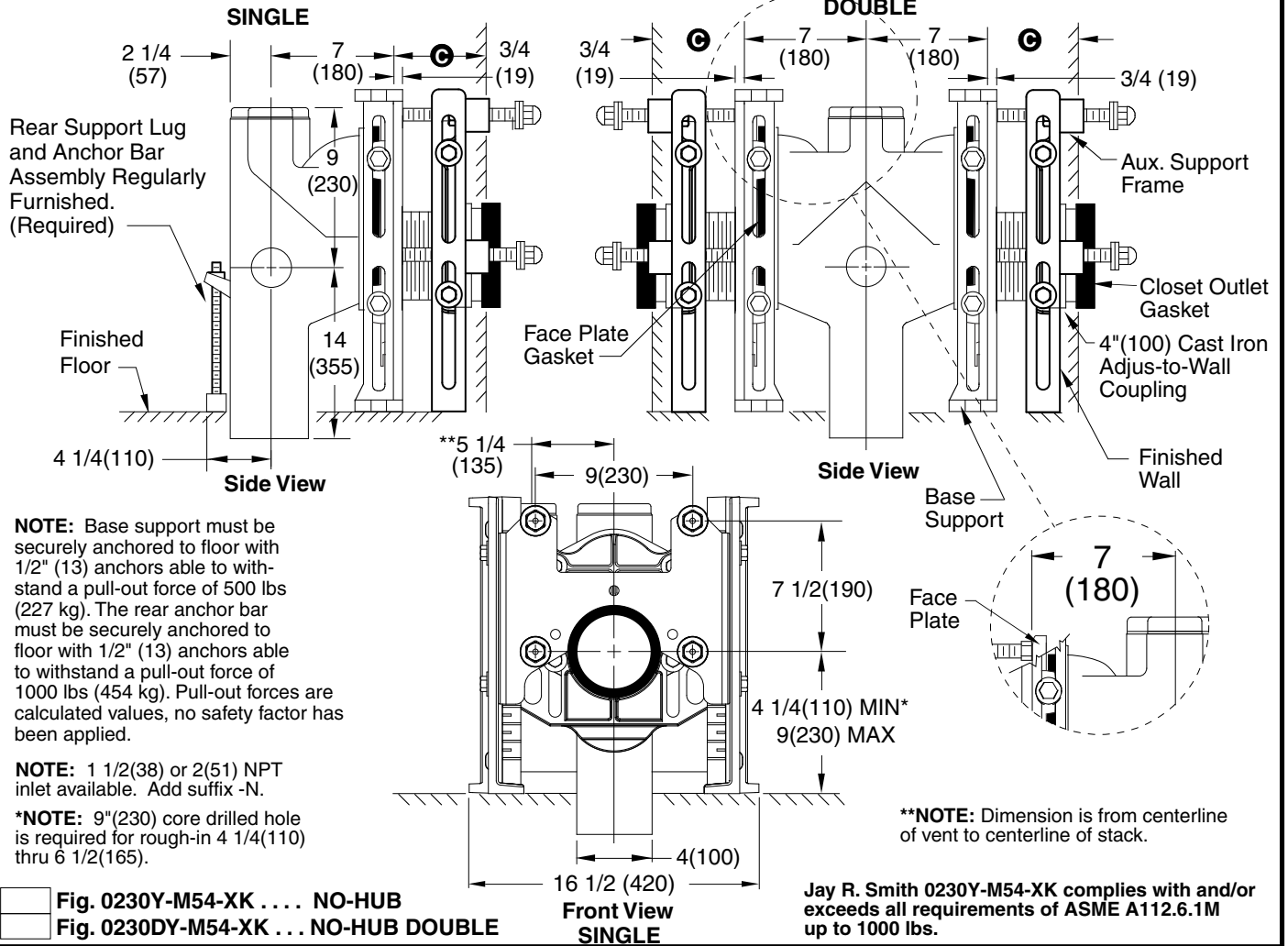


Fig. 0230Y-M54-XK . . . NO-HUB
 Fig. 0230DY-M54-XK . . . NO-HUB DOUBLE

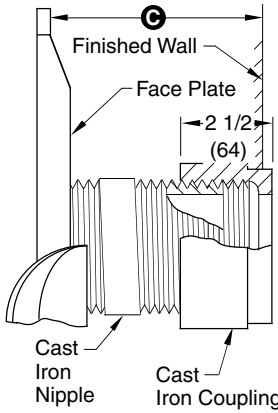
Jay R. Smith 0230Y-M54-XK complies with and/or exceeds all requirements of ASME A112.6.1M up to 1000 lbs.

⊙ DIMENSION - ADJUS-TO-WALL TYPE OUTLET CONNECTION
 The Smith Adjus-to-Wall outlet connection provides adjustment at the face of the wall at the time the fixture is set; thus, compensating for wall construction variations. The ⊙ dimension is measured from the front of the face plate to the finished wall. To properly determine the length of nipple required, deduct 1" (25) from the ⊙ dimension. The Adjus-to-Wall coupling will provide 1/2" (13) horizontal adjustment in either direction with the coupling extended 5/16" (8) past face of the finished wall.

⊙ dimension = 4" (100) (regularly furnished) consisting of cast iron nipple and Adjus-to-Wall coupling permitting adjustment from 3" (76) min. to 4" (100) max.

NOTE: dimension = 4 1/4" (110) to 5 1/4" (135) with regularly furnished 4 1/2" (115) cast iron nipple and Adjus-to-Wall coupling.

NOTE: Dimensions shown in parentheses are in millimeters.



NIPPLE LENGTHS AVAILABLE

LENGTH	MIN.	⊙	MAX.
4 1/2(115)	4 1/4(110)	5 1/4(135)	
8 1/4(210)	8(205)	9(230)	
10(255)	9 3/4(250)	10 3/4(275)	
12(305)	11 3/4(300)	12 3/4(325)	
15(380)	14 3/4(375)	15 3/4(400)	
18(455)	17 3/4(450)	18 3/4(475)	

REV.	DATE	DESCRIPTION	BY	CKD. BY
E	11/20/09	3/4 (19) was 1/2 (13)	JJ	CL
D	10/08/08	Corrected Support Views	JJ	CL

WEIGHT POUNDS	VOLUME CUBIC FEET
---------------	-------------------

FIGURE NUMBER
0230Y-M54-XK

WE CAN ASSUME NO RESPONSIBILITY FOR USE OF SUPERSEDED OR VOID DATA

DIMENSIONS ARE SUBJECT TO MANUFACTURERS TOLERANCE AND CHANGE WITHOUT NOTICE

A
DRAWING NUMBER
S0230Y-M54-XK-BS
SIZE
A
SCALE:
NONE
DATE:
6-12-07
APPROVED BY:
CL
CHECKED BY:
CL
DRAWN BY:
WAS
FIGURE NUMBER
0230Y-M54-XK
BACK SHEET

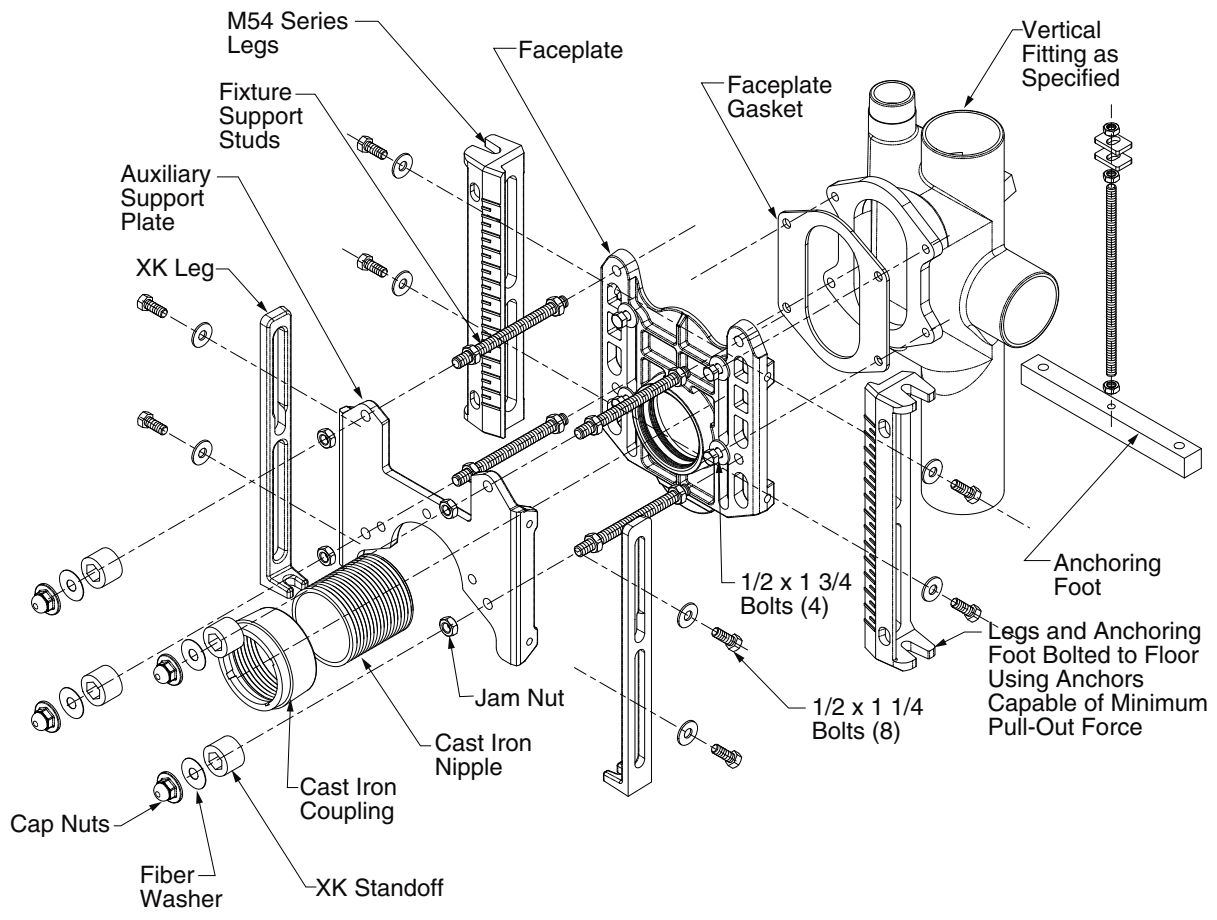
SMITH® JAY R. SMITH MFG. CO.®
DIVISION OF SMITH INDUSTRIES, INC.
POST OFFICE BOX 3237
MONTGOMERY, ALABAMA 36109-0237 (USA)
TEL: 334-277-8520 FAX: 334-272-7396 www.jrsmith.com



LOCATION

ADJUSTABLE FIXTURE SUPPORTS FOR SIPHON JET WATER CLOSETS

NO-HUB VERTICAL FITTINGS BARIATRIC DUTY - 1000 LBS.



WE CAN ASSUME NO RESPONSIBILITY FOR USE OF SUPERSEDED OR VOID DATA

DIMENSIONS ARE SUBJECT TO MANUFACTURERS TOLERANCE AND CHANGE WITHOUT NOTICE

REV.	DATE	DESCRIPTION	BY	CKD. BY
A	04/23/09	Revised Coupling Mat'l	JJ	CL

WEIGHT POUNDS
VOLUME CUBIC FEET

**FIGURE NUMBER
0230Y
-M54-XK-BS**