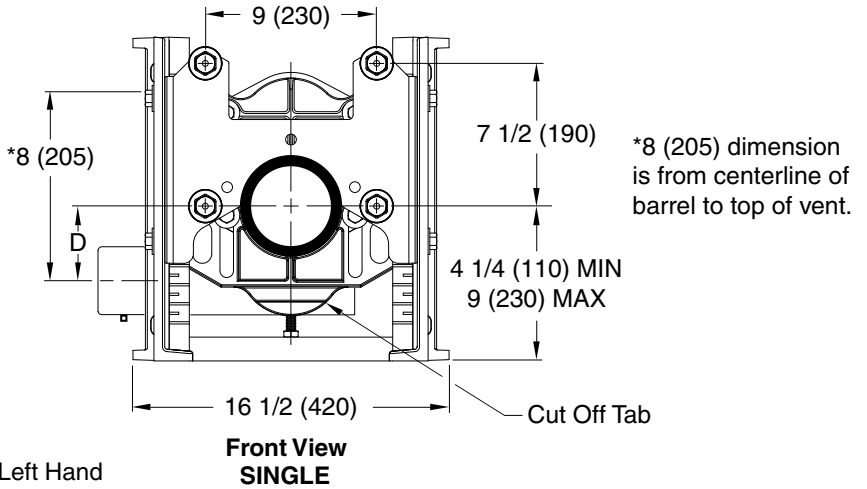
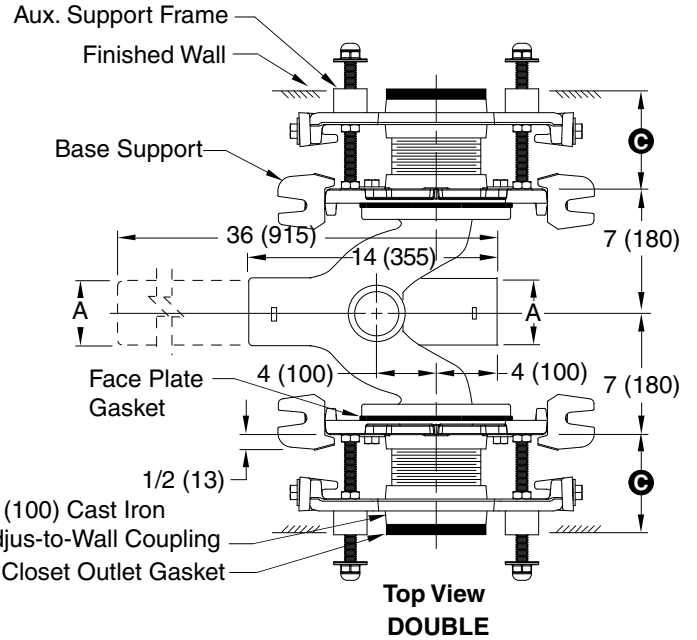
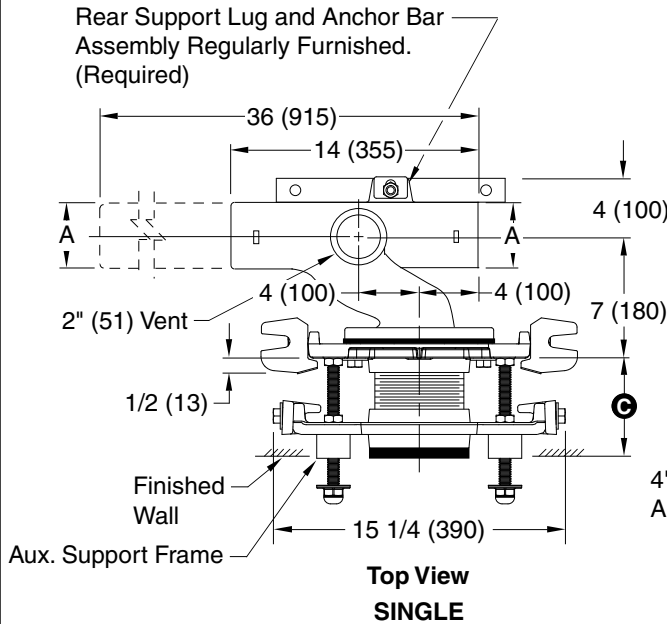


ADJUSTABLE FIXTURE SUPPORTS FOR SIPHON JET WATER CLOSETS

NO-HUB HORIZONTAL FITTINGS BARIATRIC DUTY - 1000 LBS.



NOTE: Base support must be securely anchored to floor with 1/2" (13) anchors able to withstand a pull-out force of 500 lbs (227 kg). The rear anchor bar must be securely anchored to floor with 1/2" (13) anchors able to withstand a pull-out force of 1000 lbs (454 kg). Pull-out forces are calculated values, no safety factor has been applied.

NOTE: Dimensions shown in parentheses are in millimeters.

- Fig. 0210LY-M54-XK . . .NO-HUB Left Hand
- Fig. 0210RY-M54-XK . . .NO-HUB Right Hand
- Fig. 0210DY-M54-XK . . . NO-HUB Double
- Fig. 0220LY-M54-XK . . . NO-HUB Left Hand Long Barrel
- Fig. 0220RY-M54-XK . . . NO-HUB Right Hand Long Barrel
- Fig. 0220DY-M54-XK . . . NO-HUB Double Long Barrel

A SIZE	D	
	MIN	MAX
4 (100)	5/8 (16)	3 1/8 (79)
5 (125)	5/8 (16)	3 1/8 (79)

⊕ dimension = 4 1/4" (110) to 5 1/4" (135) with regularly furnished 4 1/2" (115) cast iron nipple and Adjus-to-Wall coupling.

Jay R. Smith 0210Y or 0220Y-M54-XK complies with and/or exceeds all requirements of ASME A112.6.1M up to 1000 lbs.

DRAWING NUMBER
S0210Y, 0220Y-M54-XK

SIZE
A

SCALE:
NONE

DATE:
10/09/07

APPROVED BY:
CL

CHECKED BY:
CL

DRAWN BY:
JJ

FIGURE NUMBER
0210Y, 0220Y-M54-XK

WE CAN ASSUME NO RESPONSIBILITY FOR USE OF SUPERSEDED OR VOID DATA

DIMENSIONS ARE SUBJECT TO MANUFACTURERS TOLERANCE AND CHANGE WITHOUT NOTICE

REV.	DATE	DESCRIPTION	BY	CKD. BY
D	10/07/08	Corrected Support Views	JJ	CL
C	5-13-08	Revised Note	TBW	CL
B	4/29/08	Revised Dwg.	RN	CL
A	04/08/08	Revised "C" dimension	JJ	CL

WEIGHT POUNDS	VOLUME CUBIC FEET	FIGURE NUMBER 0210Y, 0220Y -M54-XK
------------------	----------------------	--



JAY R. SMITH MFG. CO.
 DIVISION OF SMITH INDUSTRIES, INC.
 POST OFFICE BOX 3237
 MONTGOMERY, ALABAMA 36109-0237 (USA)
 TEL: 334-277-8520 FAX: 334-272-7396 www.jrsmith.com

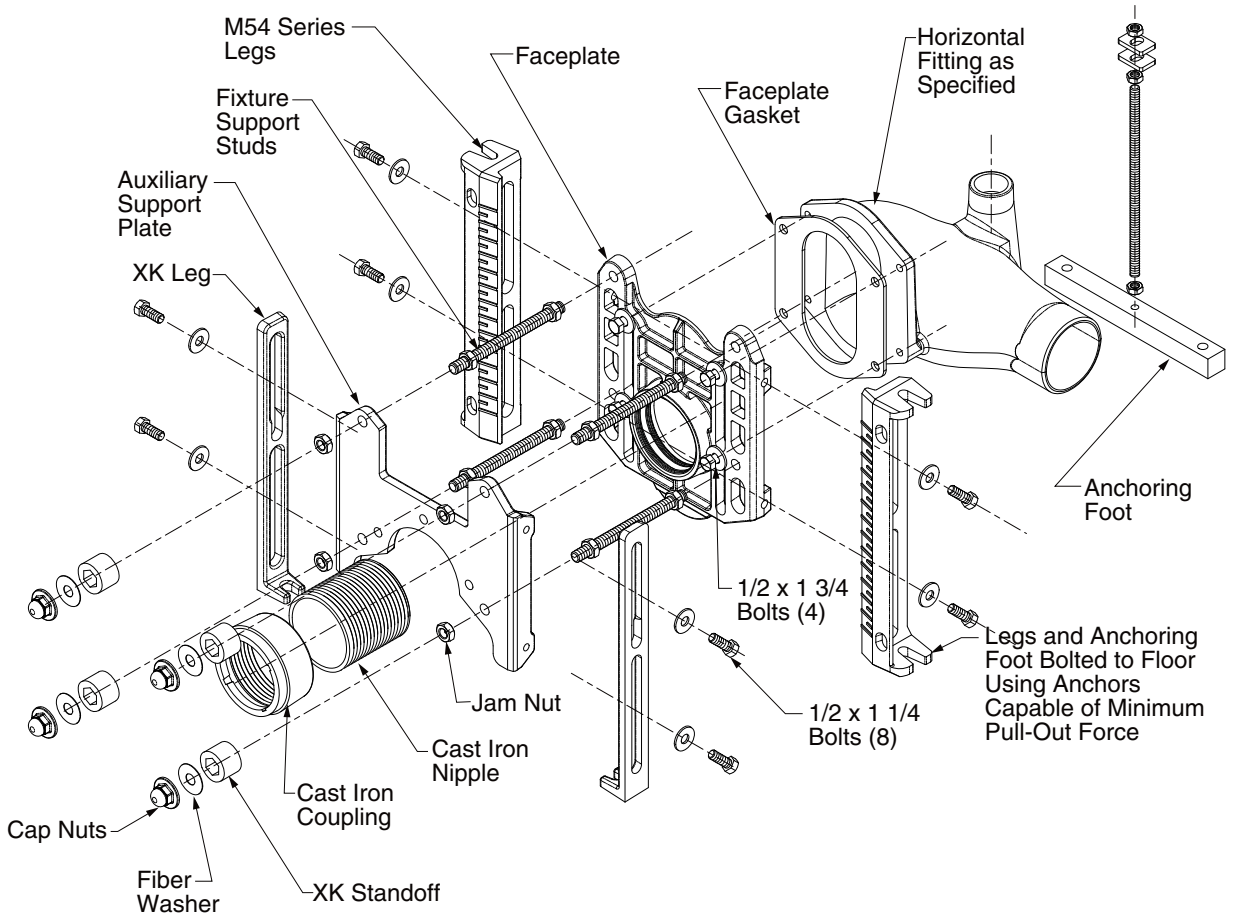


MEMBER OF:

LOCATION

ADJUSTABLE FIXTURE SUPPORTS FOR SIPHON JET WATER CLOSETS

PARTS LIST FOR NO-HUB HORIZONTAL FITTINGS BARIATRIC DUTY - 1000 LBS.



DRAWING NUMBER: 0210Y, 0220Y-M54-XK-BS
 SIZE: A
 SCALE: NONE
 DATE: 6-12-08
 APPROVED BY: CL
 CHECKED BY: CL
 DRAWN BY: WAS

WE CAN ASSUME NO RESPONSIBILITY FOR USE OF SUPERSEDED OR VOID DATA
 DIMENSIONS ARE SUBJECT TO MANUFACTURERS TOLERANCE AND CHANGE WITHOUT NOTICE

FIGURE NUMBER	REV.	DATE	DESCRIPTION	BY	CKD. BY
A		04/23/09	Revised Coupling Mat'l	JJ	CL

WEIGHT POUNDS
 VOLUME CUBIC FEET

FIGURE NUMBER
**0210Y, 0220Y
 -M54-XK-BS**