



SMITH® JAY R. SMITH MFG. CO.®
 DIVISION OF SMITH INDUSTRIES, INC.
 POST OFFICE BOX 3237
 MONTGOMERY, ALABAMA 36109-0237 (USA)
 TEL: 334-277-8520 FAX: 334-272-7396 www.jrsmith.com



MEMBER OF:

INSTALLATION INSTRUCTIONS FOR ADJUSTABLE AND COMPACT WATER CLOSET SUPPORTS SERIES 0200-M58-M54

1. INSTALL FITTING TO SOIL LINE AT DESIRED PITCH, AND CORRECT LOCATION. PLACE NEOPRENE FACE PLATE GASKET AGAINST THE FITTING FLANGE POSITIONING THE FOUR (4) BOLT HOLE OPENING OVER THE FOUR (4) BOLT HOLE TAPPINGS ON FITTING FLANGE.

2. AFTER INSERTING "O" RING INTO GROOVE IN FACE PLATE, REMOVE GREASE FROM TAPPED HOLES IN FITTING THEN ATTACH FACE PLATE TO FITTING WITH (4) 1/2"(13) X 1 3/4"(44) BOLTS, ADJUST FACE PLATE TO REQUIRED ELEVATION DETERMINED BY CLOSET ROUGHING AND FINISHED FLOOR FILL. SECURING BOLTS SHOULD BE DRAWN UP UNIFORMLY SO THAT 1/8"(3) REMAINS BETWEEN FACE PLATE AND FITTING. FACE PLATE IS MOUNTED IN THE SIPHON JET POSITION ONLY.

3. APPLY PETROLATUM LUBRICANT TO THE THREAD END OF THE NIPPLE, THREAD INTO THE FACEPLATE UNTIL NIPPLE SECURELY ENGAGES THE "O" RING.

4. ATTACH 5/8"(16) STUDS TO FACE PLATE. ADJUST TO PROTRUDE 2 1/4"(57) BEYOND ANTICIPATED FINISHED WALL AND LOCK IN PLACE WITH HEX NUTS.

5. FASTEN BASE SUPPORTS TO FACE PLATE WITH 5/8"(16) X 1 1/4"(32) BOLTS, ANCHOR BASE TO FLOOR (WITH 1/2"(13) BOLTS PROVIDED BY INSTALLER). CHECK CENTERS OF STUDS AND COUPLING. ADJUST AND BEND IF NECESSARY. ALLOW SPACE (SLEEVE) IN WALL AROUND BOLT FOR FINAL ADJUSTMENT. AT THIS TIME, INSTALL -M51 ANCHOR FOOT ASSEMBLY PER INSTALLATION INSTRUCTIONS SHEET (S-M51 INSTALLATION).

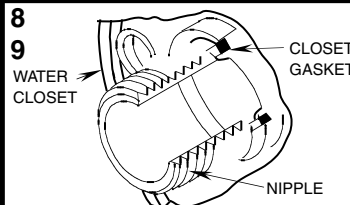
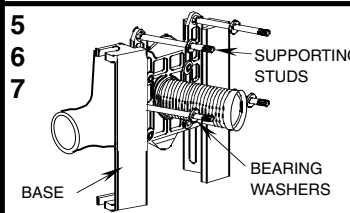
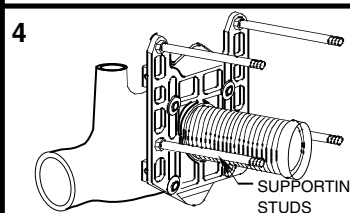
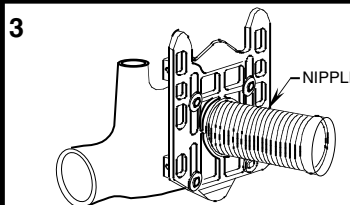
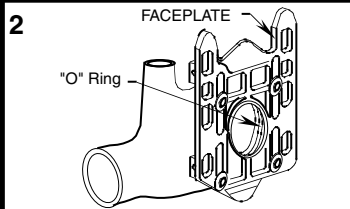
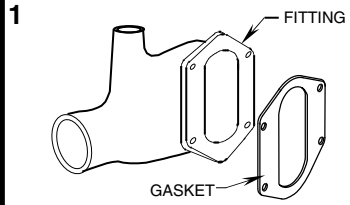
6. AFTER WALL IS BUILT AND WATER CLOSET IS READY FOR SETTING, REMOVE PLASTIC SLEEVES FROM STUDS AND PLACE STEEL BEARING NUTS AND WASHERS ONTO STUDS. ADJUST NUTS SO THAT FACE OF STEEL WASHERS WILL SET 1/16"(2) BEYOND FINISHED WALL. CHECK CENTER OF STUDS AND COUPLING AGAIN AND ADJUST AS REQUIRED. WHEN INSTALLING A SIPHON JET FIXTURE USE SMITH -M17 SETTING GAUGE.

7. PLACE THE CLOSET GASKET AROUND THE HORN OF THE CLOSET BOWL.

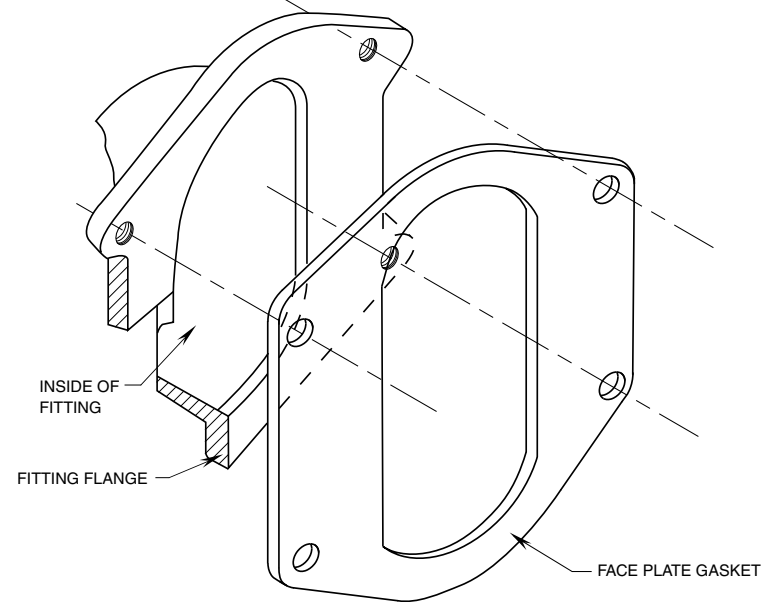
8. MOUNT THE CLOSET ON SUPPORT STUDS. WHEN A SIPHON JET FIXTURE IS TO BE MOUNTED, INSTALL THE FIBER WASHER, INSTALL THE TWO BOTTOM CAP NUTS AND THE TOP LEFT CAP NUT. TIGHTEN SECURELY WITH WRENCH. INSTALL FOURTH FIBER WASHER AND CAP NUT AND MAKE UP HAND TIGHT. THEN SNUG UP 1/4 TURN WITH WRENCH.

NOTE: Dimensions shown in parentheses are in millimeters.

NOTE: IF NIPPLE REQUIRES CUTTING (SHORTENING), CHAMFER END AFTER CUTTING TO INSURE ALL BURRS & SHARP EDGES ARE REMOVED. SHARP EDGES WILL CUT O-RING SEAL AT ASSEMBLY.

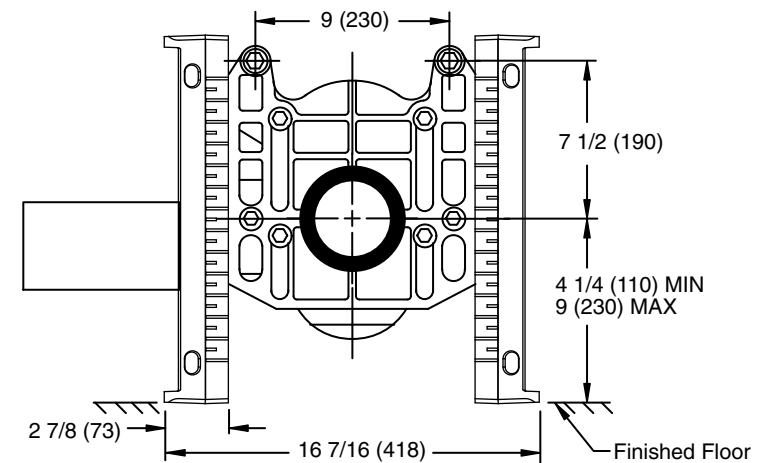


INSTALLATION DRAWING OF NEOPRENE FACE PLATE GASKET FOR ADJUSTABLE CLOSET SUPPORTS



NOTE: This Gasket is not Applicable to the 0400 Series Closet Supports.

SUFFIX -M58-M54



SIPHON JET INSTALLATION

MATERIAL SAFETY DATA SHEET

RADIATOR SPECIALTY COMPANY

1400 W. INDEPENDENCE BLVD. • CHARLOTTE, NC 28208 • 704-377-6555

SECTION I GENERAL INFORMATION

PRODUCT NAME	TITSEAL #2 GASKET AND JOINT COMPOUND
PART NUMBERS	T2-01, 03, 03V, 11
CHEMICAL DESCRIPTION	FORMULA
Mixture of castor oil, alcohol, resin and fillers	*Trade Secret

SECTION II HAZARDOUS COMPONENTS

CAS NUMBER	COMPONENT	%	TLV
800-17-94	Castor oil	5-25	NA
67-63-0	Isopropyl alcohol	5-25	400 ppm

*Components not identified are non-hazardous according to 29 CFR 1910.1200

SECTION III PHYSICAL DATA

BOILING POINT	NA °F	SPECIFIC GRAVITY (H ₂ O=1)	-1.5	pH	Neutral
FLASH POINT	160 °F	VOLATILE BY WT.	<15 %	EVAPORATION RATE	NA
SOLUBILITY IN WATER	slightly soluble	SOLUBILITY IN SOLVENTS	alcohols		
APPEARANCE AND ODOR	Black paste with characteristic odor				

SECTION IV FIRE AND EXPLOSION DATA

EXTINGUISHING MEDIA
Water Fog ___ Foam <u>X</u> CO ₂ <u>X</u> Dry Chemical <u>X</u> Other _____
SPECIAL FIRE FIGHTING PROCEDURES <i>Wear self-contained, positive pressure breathing apparatus and protective clothing.</i>
UNUSUAL FIRE AND EXPLOSION HAZARDS <i>None Known</i>

SECTION V REACTIVITY INFORMATION (Based on data for individual components)

STABLE <u>X</u> UNSTABLE ___ HAZARDOUS POLYMERIZATION? YES ___ NO <u>X</u> CORROSIVE? ___ No
MATERIALS TO AVOID Oxidizing agents
CONDITIONS TO AVOID Temperatures above 120°F
HAZARDOUS DECOMPOSITION PRODUCTS At high temperatures - carbon monoxide, carbon dioxide, smoke

EMERGENCY TELEPHONE NUMBER
704-377-6555

This information is presented to comply with the OSHA Hazard Communication Standard.

SECTION VI HEALTH HAZARD INFORMATION (Based on data for individual components)

RECOMMENDED TLV OF PRODUCT	400 ppm
EYE	May cause eye irritation and corneal damage. Product is adhesive.
SKIN	Excessive exposure may cause skin irritation. Stains to the skin are difficult to remove.
INHALATION	Excessive inhalation of alcohol solvent may cause headache, narcosis, and irritate mucous membranes.
INGESTION	Harmful if swallowed. Product is adhesive and may cause choking.
OTHER	NA

SECTION VII EMERGENCY AND FIRST AID PROCEDURES (Based on data for individual components)

EYE CONTACT	<i>Flush eye with water for 15 minutes.</i> Get medical attention immediately.
SKIN CONTACT	Wash with soap and water.
INHALATION	Move to fresh air. If patient is unconscious, give artificial respiration and get medical attention immediately.
INGESTION	Drink 2 glasses of water. INDUCE VOMITING. Get medical attention immediately.

SECTION VIII SPECIAL PROTECTION INFORMATION (Based on data for individual components)

RESPIRATORY PROTECTION	EYE PROTECTION
For bulk handling, if TLV is exceeded, use NIOSH approved respirator	For bulk handling, wear goggles. Do not wear contact lenses.
VENTILATION	PROTECTIVE CLOTHING
General ventilation required.	For bulk handling, wear rubber gloves.

SECTION IX SPILL OR LEAK PROCEDURES

SPILL OR LEAK PROCEDURES
Ventilate area. Remove ignition sources. Wipe up small spills with rags and burn waste carefully. Wash off stains with an alkaline detergent.
WASTE DISPOSAL METHODS <i>Dispose of in accordance of all applicable government laws and regulations.</i>

SECTION X SPECIAL PRECAUTIONS

STORAGE AND HANDLING PRECAUTIONS	HAZARD INFORMATION LABEL DATA
Store at temperatures below 120°F away from ignition sources and oxidizing agents.	HAZARD CODE 4 = Extreme 3 = High 2 = Moderate 1 = Slight 0 = Negligible
OTHER PRECAUTIONS NA	FLAMMABILITY HEALTH REACTIVITY SPECIAL

While Radiator Specialty Company believes this data is accurate as of the revision date, we make no warranty with respect to the data and we expressly disclaim all liability for reliance thereon. The data is offered solely for your information, investigation and verification.

REVISED: _____ March, 1985 _____