

MULTI-PURPOSE FLOOR CLEANOUTS WITH INTERNAL CLOSURE PLUG

WIDE FLANGE CAST IRON FLOOR CLEANOUT

FUNCTION: Used where a waterproof covering is to be applied and a wide area is required for bonding and/or support.

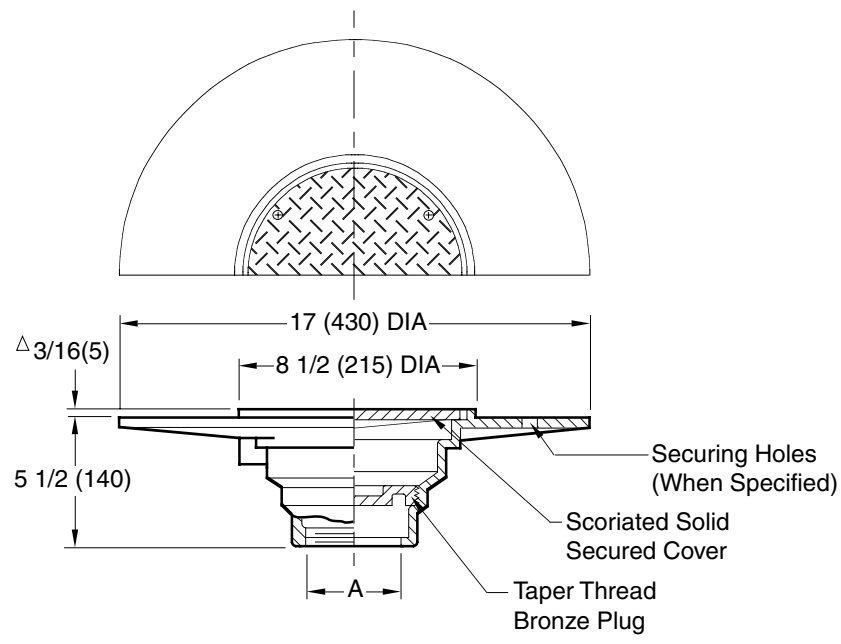


Fig. DX4343C CAULK OUTLET
 A(Pipe Size) = 02(50), 03(80) or 04(100)

If Water-Proof Deck Covering thickness is greater (or less) than dimensions shown, the drain body should be set to compensate for the variation in thickness. Drain body should be set low enough to permit "dimpling" of area surrounding drain.

- | | | |
|--|---|--|
| <p>REGULARLY FURNISHED: Duco Cast Iron Body with Solid Secured Cover and Taper Thread Bronze Closure Plug.</p> | <p>VARIATIONS:</p> <ul style="list-style-type: none"> <input type="checkbox"/> NO-HUB Adaptor (Specify Fig. 2646Y) <input type="checkbox"/> Securing Holes -SH <input type="checkbox"/> T Threaded Outlet | <p>OPTIONAL MATERIALS:</p> <ul style="list-style-type: none"> <input type="checkbox"/> Nickel Bronze Top -NB <input type="checkbox"/> Polished Bronze Top -PB |
|--|---|--|

ΔAdd 3/16"(5) when bronze top is specified.

NOTE: Dimensions shown in parentheses are in millimeters.

DX4343

| | | | | | | | | |
|---------------|------------------|--|--|-------------------------|----------------------|------------------|----------------------|--------------------------------|
| FIGURE NUMBER | E D C B | 1-9-96 7-26-94 8-10-93 2-2-83 | Submittal Update Revised Submittal Update Revised and Redrawn | EMB EMB TWK CR | BS BS BS BS | WEIGHT POUNDS | VOLUME CUBIC FEET | FIGURE NUMBER DX4343 |
| | REV. | DATE | DESCRIPTION | BY | CKD. BY | | | |

DRAWING NUMBER SDX4343
 SIZE A
 SCALE: NONE
 DATE: 2-5-68
 APPROVED BY: JM
 CHECKED BY: JS
 DRAWN BY: DA
 DIMENSIONS ARE SUBJECT TO MANUFACTURERS TOLERANCE AND CHANGE WITHOUT NOTICE
 WE CAN ASSUME NO RESPONSIBILITY FOR USE OF SUPERSEDED OR VOID DATA