

WALL AND CEILING ACCESS DOORS

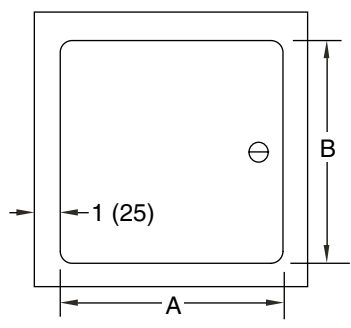
SQUARE OR RECTANGULAR FRAMES WITH HINGED LOCKED DOOR

FUNCTION: Used to cover cleanout plugs, valves, controls or equipment concealed in walls and ceilings. Larger sizes are used to provide man access to utility and attic spaces. The face-of-the-wall type is for tile, masonry or dry wall construction, and is usually installed in an opening provided in the finished wall. The flush-with-wall type is for plaster or wet wall construction and is installed prior to finish. The anchor holes provide a means of securely anchoring so that the face of the cover will be flush with the finished wall.

REGULARLY FURNISHED: 16 gauge steel door and frame with concealed hinge* and screwdriver operated latch which holds the door securely closed. Nailor slots are provided for attaching to studs. Anchor straps are available when required for installation in masonry construction. When "B" dimension is 24" (610) or over, additional latches are provided at the top and bottom of door. When specified with allen latch or cylinder lock, matching latches/locks are furnished.

VARIATIONS:

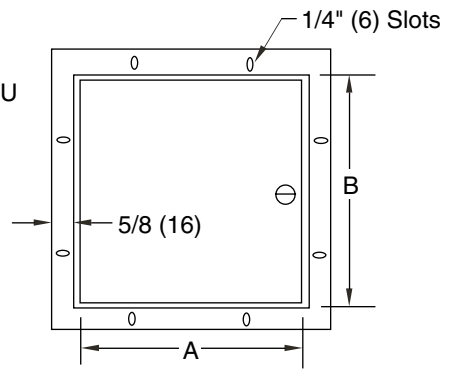
- Allen Key Latch -AK
- Cylinder Lock With (2) Keys -CL
- Lift Off Door (4) V.P. Screws (When Specified lift off Door Only) -U



FACE-OF-WALL TYPE

- Fig. 4760 . . . Prime Coated Steel
- Fig. 4762 . . . Type 304 Stainless Steel With No. 4 Finish

A x B DOOR SIZE	A x B DOOR SIZE
-08 (205) x 08 (205)	-18 (455) x 18 (455)
-08 (205) x 12 (305)	-18 (455) x 24 (610)
-12 (305) x 12 (305)	-20 (510) x 24 (610) Δ
-12 (305) x 16 (405)	-20 (510) x 30 (760) Δ
-12 (305) x 18 (455)	-24 (610) x 24 (610)
-12 (305) x 24 (610) Δ	-24 (610) x 30 (760) Δ
-14 (355) x 14 (355) Δ	-24 (610) x 36 (915)
-16 (405) x 16 (405)	-30 (760) x 30 (760) Δ
-16 (405) x 20 (510) Δ	-36 (915) x 36 (915) Δ



FLUSH-WITH-WALL TYPE

- Fig. 4765 . . . Prime Coated Steel
- Fig. 4767 . . . Type 304 Stainless Steel With No. 4 Finish

Δ Available in Face-of Wall Type only.

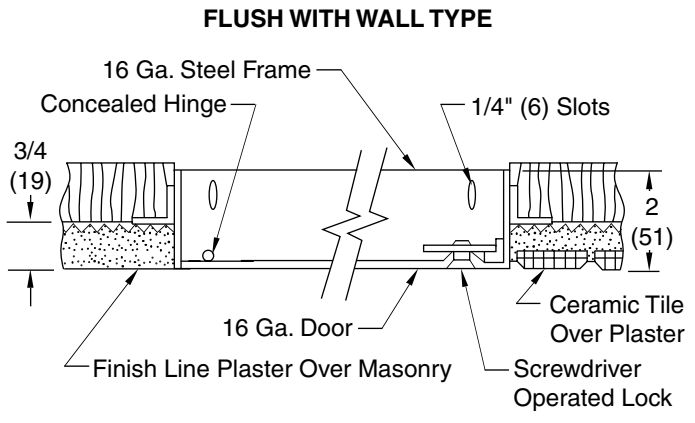
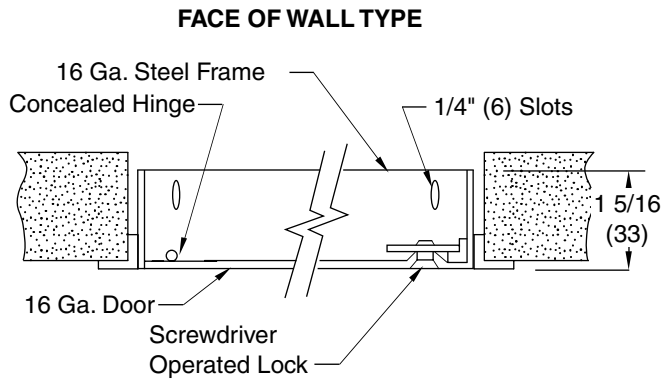
*Doors 24" (610) and Larger are furnished with a Continuous Piano Hinge
 Material and finish as indicated by figure number selected.

DRAWING NUMBER S4760
 SIZE A
 SCALE: NONE
 DATE: 4-30-85
 APPROVED BY: TD
 CHECKED BY: AB
 DRAWN BY: WZ
 4760, 4765 SERIES
 DIMENSIONS ARE SUBJECT TO MANUFACTURERS TOLERANCE AND CHANGE WITHOUT NOTICE

WE CAN ASSUME NO RESPONSIBILITY FOR USE OF SUPERSEDED OR VOID DATA

FEATURES AND TYPICAL INSTALLATIONS

NOTE: Dimensions shown in parentheses are in millimeters.



M L K J	7-5-95 7-27-94 8-12-93 4-6-93	Added Millimeters Revised Submittal Update Rev Reg. Furn. & Dwg.	EMB EMB TWK EMB	BS BS BS JCS	WEIGHT POUNDS	VOLUME CUBIC FEET	FIGURE NUMBER 4760 SERIES 4765 SERIES
REV.	DATE	DESCRIPTION	BY	CKD. BY			