

DRAWING NUMBER
S4710

SIZE
A

SCALE:
NONE

DATE:
2-16-70

APPROVED BY:
JM

CHECKED BY:
BH

DRAWN BY:
RK

4710, 4715

FIGURE NUMBER

WE CAN ASSUME NO RESPONSIBILITY FOR USE OF SUPERSEDED OR VOID DATA

WALL ACCESS COVERS

ROUND FACE-OF-WALL COVER AND SCREW

FUNCTION: Used to conceal cleanout closures in walls. The round access cover is mounted on the surface of the finished wall and is directly secured by the screw to a tapping which must be provided in the cleanout plug. Shallow plates are preferred for all installations except where the cleanout plug protrudes beyond the finished wall surface, in which case the deep type cover must be used.

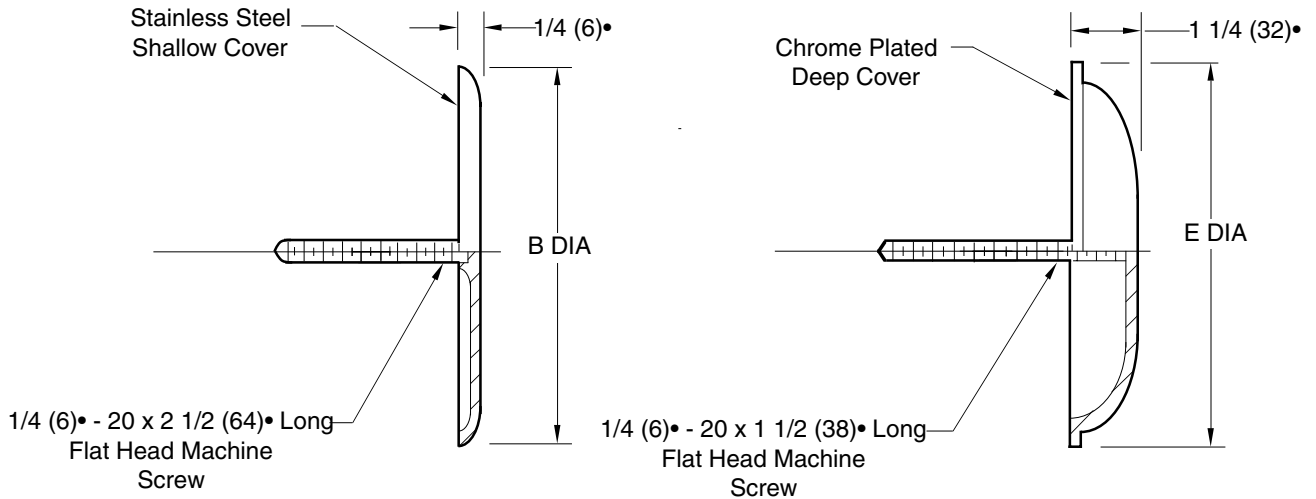


Fig. 4710
eg: 4710 (-04)**

Fig. 4715
eg: 4715 (-07)Δ

Plug Size*	Fig. 4710* B Dia.	Specify FIG.	Fig. 4715* E Dia.	Specify FIG.
1 1/2 (38), 2 (51), 2 1/2 (64)	4 1/4 (110)	4710 (-04)	*7 1/4 (185)	4715 (-07)
3 (76), 3 1/2 (89), 4 (100)	5 1/4 (135)	4710 (-05)	*7 1/4 (185)	4715 (-07)
5 (125)	7 (180)	4710 (-07)	*7 1/4 (185)	4715 (-07)
6 (150)	9 1/4 (235)	4710 (-09)	9 1/4 (235)	4715 (-09)
8 (205), 10 (255)	11 1/4 (285)	4711 (-11)	11 1/4 (285)	4715 (-11)

*= Die Formed SS Cover Only.

** Reflects "B" DIA.

Δ Reflects "E" DIA.

•NOTE: Dimensions shown in parenthesis are in millimeters.

REGULARLY FURNISHED:

Stainless Steel Shallow Cover or Chrome Plated Bronze Deep Cover with Center Screw as Indicated by Figure Number Selected.

VARIATIONS:

- Longer Center Screw (Specify Length)
- Vandal Proof Screw -U

OPTIONAL MATERIALS:

- Nickel Bronze -NB (Fig. 4715 only)
- Polished Bronze Cover -PB
- Prime Coated Steel Cover -PC (Fig. 4710 only)

REV.	DATE	DESCRIPTION	BY	CKD. BY
I	1-19-96	Revised table	CMD	BS
G	8-31-95	Chg Table	EMB	BS
F	3-31-95	Added millimeters	EMB	BS
F	7-27-94	Revised	EMB	BS
E	8-10-93	Update Submittal	TWK	BS

WEIGHT POUNDS	VOLUME CUBIC FEET	FIGURE NUMBER
		4710, 4715