

F

SMITH® JAY R. SMITH MFG. CO.®
 DIVISION OF SMITH INDUSTRIES, INC.
 POST OFFICE BOX 3237
 MONTGOMERY, ALABAMA 36109-0237 (USA)
 TEL: 334-277-8520 FAX: 334-272-7396 www.jrsmith.com



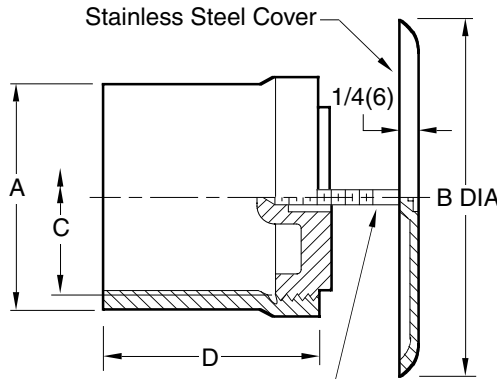
MEMBER OF:

LOCATION

CAULK FERRULE CLEANOUTS AND COVERS

FULL CALIBRE FERRULE TAPER THREAD PLUG WITH ROUND COVER

FUNCTION: Used in hub openings in drainage piping where a cleanout is required. Plug size equals ferrule size. Face-of-Wall cover is desirable on finished walls.



1/4(6) - 20 x 2 1/2"(64) Long Flat Head Machine Screw

COUNTERSUNK PLUG

- Fig. 4450C LESS COVER AND SCREW
- Fig. 4452C WITH COVER AND SCREW

A SIZE	B DIA	C SIZE	D
02 (50)	4 1/4 (108)	2 1/2 (64)	3 1/2 (89)
03 (80)	5 1/2 (140)	3 (76)	3 3/4 (95)
04 (100)	7 (180)	4 (100)	4 1/4 (110)

Sized for Service Weight and/or NO-HUB

NOTE: Dimensions shown in parentheses are in millimeters.

REGULARLY FURNISHED:

Duco Cast Iron Full Calibre Caulk Ferrule with Cast Bronze Taper Thread Plug, with Stainless Steel Round Cover and Screw as Indicated by Fig. Number Selected.

VARIATIONS:

- Longer Screw 6"(150) Lg. -LS
- "T" Handle Plug -TP
Plug tapped 1/4"(6) - 20 Thread
- Vandal Proof Screw -U

OPTIONAL MATERIALS:

- Cast Bronze Body -BB
- Polished Bronze Cover -PB
- Prime Coated Steel Cover -PC

DRAWING NUMBER
S4450

SIZE
A

SCALE:
NONE

DATE:
2-16-70

APPROVED BY:
JM

CHECKED BY:
BH

DRAWN BY:
RK

FIGURE NUMBER
4450, 4452

WE CAN ASSUME NO RESPONSIBILITY FOR USE OF SUPERSEDED OR VOID DATA

REV.	DATE	DESCRIPTION	BY	CKD. BY	WEIGHT POUNDS	VOLUME CUBIC FEET	FIGURE NUMBER
F	4-28-09	Revised Size Chart	RN	CL			4450, 4452
E	8-11-97	Chg'd Var & Opt Mat	EMB	BS			
D	1-11-96	Added Millimeters	EMB	BS			
C	7-27-94	Revised	EMB	BS			