

H

SMITH® JAY R. SMITH MFG. CO.®
 DIVISION OF SMITH INDUSTRIES, INC.
 POST OFFICE BOX 3237
 MONTGOMERY, ALABAMA 36109-0237 (USA)
 TEL: 334-277-8520 FAX: 334-272-7396 www.jrsmith.com



LOCATION

CAULK FERRULE CLEANOUTS WITH FRAME AND COVER

TAPER THREAD PLUG WITH ROUND FRAME AND COVER

FUNCTION: Used to cover cleanout plugs concealed in walls. Round design eliminates necessity for lining up with adjacent floors, ceilings, moldings, etc. The anchoring lugs provide easy means for securing the frame to the wall construction. The face-of-wall cover (4436) is for tile, masonry, or dry wall construction and is usually installed on an opening provided in the finished wall. The flush-with-wall cover (4437) is for plaster or wet wall construction and is installed during wall construction.

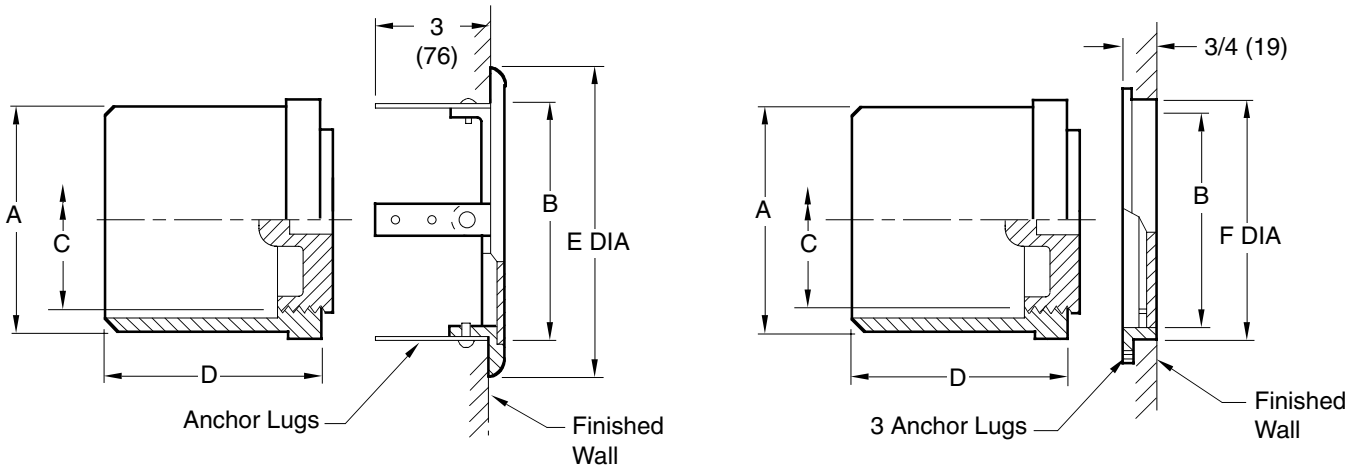


FIG. 4436C FACE-OF-WALL COVER

FIG. 4437C FLUSH-WITH-WALL COVER

	A SIZE	B OPENING	C SIZE	D	E DIA	F DIA
▲	02 (50)	4 (100)	1 1/2 (38)	3 1/2 (89)	6 (150)	4 1/2 (115)
▲	03 (75)	5 1/2 (140)	2 1/2 (64)	3 3/4 (95)	7 (180)	5 3/4 (145)
▲	04 (100)	6 (150)	3 1/2 (89)	4 1/4 (110)	7 1/2 (190)	6 1/2 (165)
	05 (125)	6 (150)	4 1/2 (115)	4 1/4 (110)	7 1/2 (190)	6 1/2 (165)
	06 (150)	8 (205)	5 1/2 (140)	4 1/4 (110)	10 (255)	8 1/2 (215)
	08 (200)	10* (255)	7 1/2 (190)	4 1/2 (115)	-	10 1/2 (265)

▲ Sized for Service Weight and/or NO-HUB
 *Not available for 4436

NOTE: Dimensions shown in parentheses are in millimeters.

REGULARLY FURNISHED:

Duco Cast Iron Caulk Ferrule with Cast Bronze Taper Thread Plug. Chrome Plated Bronze Round Frame and Secured Cover. Type of Cover as Indicated by Figure Number Selected.

VARIATIONS:

- "T" Handle Plug -TP
 Plug Tapped 1/4"(6) -20 Thread
- Vandal Proof Screws -U

OPTIONAL MATERIALS:

- Cast Bronze Body -BB
- Nickel Bronze Frame and Cover -NB
- Polished Bronze Frame and Cover -PB

DRAWING NUMBER
S4436

SIZE
A

SCALE:
NONE

DATE:
3-3-83

APPROVED BY:
JM

CHECKED BY:
BS

DRAWN BY:
CR

FIGURE NUMBER
4436, 4437

WE CAN ASSUME NO RESPONSIBILITY FOR USE OF SUPERSEDED OR VOID DATA
 DIMENSIONS ARE SUBJECT TO MANUFACTURERS TOLERANCE AND CHANGE WITHOUT NOTICE

H G F E	09/09/10 04/29/09 10-20-98 8-11-97	Revised Millimeters Revised 'D' Dimensions Revised S.W. and/or N.H Chg'd Var & Opt Mat	JJ JJ TBW EMB	CL CL JCS BS	WEIGHT POUNDS	VOLUME CUBIC FEET	FIGURE NUMBER 4436, 4437
REV.	DATE	DESCRIPTION	BY	CKD. BY			