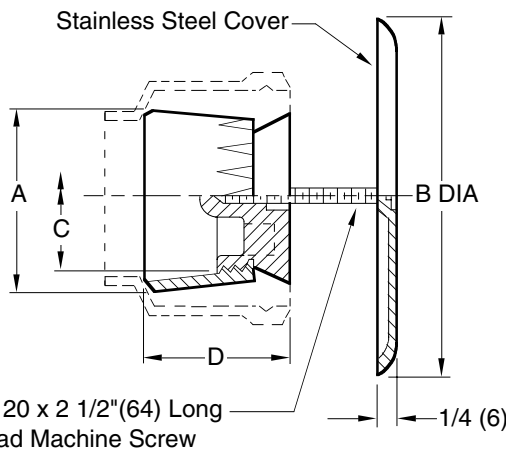


CAULK FERRULE CLEANOUTS WITH ACCESS COVERS

LEAD SEAL PLUG WITH ROUND COVER

FUNCTION: Used in hub openings in drainage piping where a cleanout is required. The straight thread lead seal plug permits quick and easy removal. Grooves on outside of ferrule prevent turning. Face-of-wall cover is desirable on finished walls when ferrule is used in vertical piping.



COUNTERSUNK PLUG

- Fig. 4400C LESS COVER AND SCREW
- Fig. 4402C WITH COVER AND SCREW

A SIZE	B DIA	C SIZE	D
02 (50)	4 1/4 (110)	1 1/2 (38)	2 1/2 (64)
03 (80)	5 1/2 (140)	2 1/2 (64)	2 3/4 (70)
04 (100)	5 1/2 (140)	3 1/2 (89)	3 (76)
05 (125)	7 (180)	4 1/2 (115)	3 (76)
06 (150)	9 1/4 (235)	5 1/2 (140)	3 (76)
08 (200)	11 1/4 (285)	7 1/2 (190)	3 1/2 (89)

REGULARLY FURNISHED:

Duco Cast Iron Caulk Ferrule and Cast Iron Lead Seal Plug with Stainless Steel Round Cover and Screw when indicated by Fig. Number.

VARIATIONS:

- Longer Screw 6"(150) Lg. -LS
- "T" Handle Plug -TP
Plug tapped 1/4"(6) - 20 Thread
- Vandal Proof Screw -U

OPTIONAL MATERIALS:

- Cast Bronze Body -BB
- Cast Bronze Plug -BP
- Polished Bronze Cover -PB
- Prime Coated Steel Cover -PC

NOTE: Dimensions shown in parentheses are in millimeters.

DRAWING NUMBER S4400
SIZE A
SCALE: NONE
DATE: 2-16-70
APPROVED BY: JM
CHECKED BY: BH
DRAWN BY: RK
4400, 4402
FIGURE NUMBER

WE CAN ASSUME NO RESPONSIBILITY FOR USE OF SUPERSIZED OR VOID DATA
DIMENSIONS ARE SUBJECT TO MANUFACTURERS TOLERANCE AND CHANGE WITHOUT NOTICE

E	8-11-97	Chg'd Var & Opt Mat	EMB	BS	WEIGHT	VOLUME	FIGURE NUMBER
D	1-9-96	Added Millimeters	EMB	BS	POUNDS	CUBIC FEET	4400, 4402
C	7-26-94	Revised	EMB	BS			
B	8-5-93	Submital Update	TWK	BS			
REV.	DATE	DESCRIPTION	BY	CKD. BY			