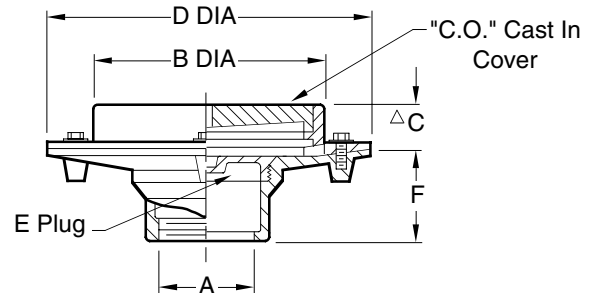
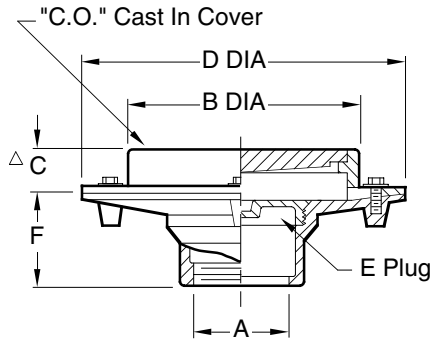




# MULTI-PURPOSE FLOOR CLEANOUTS WITH INTERNAL CLOSURE PLUG

## ROUND NON-ADJUSTABLE CAST IRON TOP

**FUNCTION:** Used in areas where a large access cover is desirable and the appearance of cast iron is satisfactory. Non-Tilt cover Fig. 4338 shown below should be used for heavy load traffic.



**MEDIUM DUTY COVER**

**HEAVY DUTY COVER**

Fig. 4333C . . . . . TAPER THREAD - BRONZE PLUG . . . . .  Fig. 4338C

A SIZE	B DIA	ΔC	D DIA	E SIZE	F
02 (50)	8 1/2 (215)	1 5/8 (41)	12 (305)	3 1/2 (89)	4 (100)
03 (80)	8 1/2 (215)	1 5/8 (41)	12 (305)	4 (100)	4 (100)
04 (100)	8 1/2 (215)	1 5/8 (41)	12 (305)	5 (125)	4 (100)

Δ add 1/4"(6) when bronze top is specified

Collar can be used as flashing clamp when required

**NOTE:** Dimensions shown in parentheses are in millimeters.

INSIDE CAULK OUTLET REGULAR

**REGULARLY FURNISHED:**  
 Duco Cast Iron Body with Scoriated Loose Set Cast Iron Cover, Taper Thread Bronze Closure Plug and Flashing Collar.

- VARIATIONS:**
- NO-HUB Adaptor (Specify Fig. 2646Y)
  - Recessed for Tile -RT
  - Secured Cover -SC
  - Secured Cover w/Vandal Proof Screws -U
  - Square Top -S
  - "T" Handle Plug -TP  
 Plug tapped 1/4"(6) - 20 Thread
  - 4"(100) Wide Flange (See Fig. DX4343)
  - T Threaded Outlet

- OPTIONAL MATERIALS:**
- Galvanized Cast Iron -G
  - Nickel Bronze Top -NB
  - Polished Bronze Top -PB
  - Stainless Steel  
 (Specify Fig 9720)

DRAWING NUMBER S4333

SIZE A

SCALE: NONE

DATE: 2-16-70

APPROVED BY: JM

CHECKED BY: BH

DRAWN BY: RK

FIGURE NUMBER 4333, 4338

WE CAN ASSUME NO RESPONSIBILITY FOR USE OF SUPERSEDED OR VOID DATA

D	1-9-96	Added Millimeters	EMB	BS	WEIGHT POUNDS	VOLUME CUBIC FEET	FIGURE NUMBER <b>4333, 4338</b>
C	7-26-94	Revised	EMB	BS			
B	8-5-93	Submittal Update	TWK	BS			
A	3-13-83	Revised and Redrawn	CR	BS			
REV.	DATE	DESCRIPTION	BY	CKD. BY			