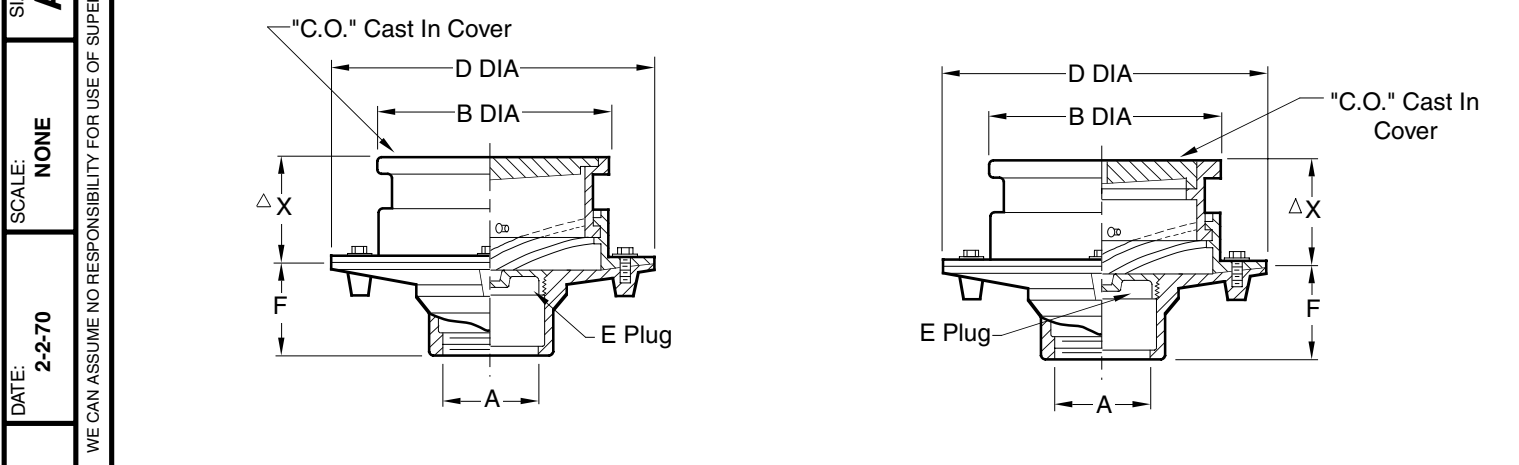


MULTI-PURPOSE FLOOR CLEANOUTS WITH INTERNAL CLOSURE PLUG

ROUND ADJUSTABLE CAST IRON TOP

FUNCTION: Used in areas where a large access cover is desirable and the appearance of cast iron is satisfactory. Non-Tilt cover Fig. 4318 shown below should be used for heavy load traffic. Allows easy floor level adjustment.



MEDIUM DUTY COVER Fig. 4313C TAPER THREAD - BRONZE PLUG **HEAVY DUTY COVER** Fig. 4318C

A SIZE	B DIA	D DIA	E SIZE	F	ΔMIN - X - MAX	
02 (50)	8 1/2 (215)	12 (305)	3 1/2 (89)	4 (100)	3 1/2 (89)	4 1/2 (115)
03 (80)	8 1/2 (215)	12 (305)	4 (100)	4 (100)	3 1/2 (89)	4 1/2 (115)
04 (100)	8 1/2 (215)	12 (305)	5 (125)	4 (100)	3 1/2 (89)	4 1/2 (115)

Δ add 1/4"(6) when bronze top is specified

NOTE: Dimensions shown in parentheses are in millimeters.

Collar can be used as flashing clamp when required

INSIDE CAULK OUTLET REGULAR

- REGULARLY FURNISHED:**
 Duco Cast Iron Flanged Body and Round Adjustable Top with Scoriated Loose Set Cast Iron Cover, Taper Thread Bronze Closure Plug and Flashing Collar.
- VARIATIONS:**
- NO-HUB Adaptor (Specify Fig. 2646Y)
 - Recessed for Tile -RT
 - Secured Cover -SEC
 - Square Top -S
 - "T" Handle Plug -TP
Plug tapped 1/4"(6) - 20 Thread
 - Vandal Proof Cover -U
 - T Threaded Outlet
- OPTIONAL MATERIALS:**
- Ductile Iron Cover -M (Fig. 4318 only)
 - Galvanized Cast Iron -G
 - Nickel Bronze Top -NB
 - Polished Bronze Top -PB
 - Stainless Steel (Specify Fig. 9735)

FIGURE NUMBER	4313, 4318	D	1-6-96	Added Millimeters	EMB	BS	WEIGHT POUNDS	VOLUME CUBIC FEET	FIGURE NUMBER
		C	7-26-94	Revised	EMB	BS			4313, 4318
		B	8-5-93	Submittal Update	TWK	BS			
		A	1-31-83	Revised and Redraw	CR	BS			
REV.	DATE	DESCRIPTION			BY	CKD. BY			

DRAWING NUMBER S4313
 SIZE A
 SCALE: NONE
 DATE: 2-2-70
 APPROVED BY: JM
 CHECKED BY: BH
 DRAWN BY: RK
 DIMENSIONS ARE SUBJECT TO MANUFACTURERS TOLERANCE AND CHANGE WITHOUT NOTICE
 WE CAN ASSUME NO RESPONSIBILITY FOR USE OF SUPERSEDED OR VOID DATA