

# FLOOR CLEANOUTS FOR UNFINISHED FLOORS

## CLEANOUT BODIES WITH CLOSURE PLUG

**FUNCTION:** Used where extension type cleanout is required. Not recommended for installation in floors or areas subjected to traffic unless access cover is provided.

DRAWING NUMBER S4291

SCALE: NONE

DATE: 02/01/01

APPROVED BY:

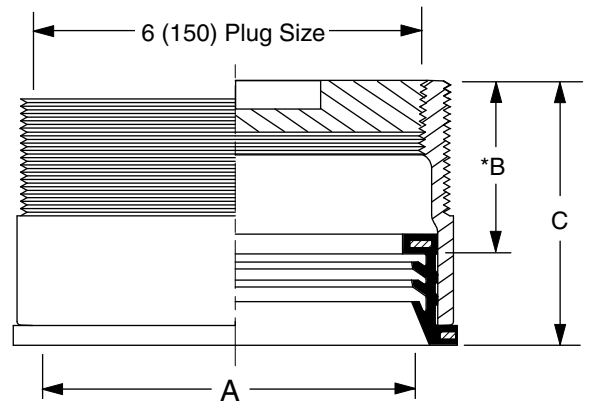
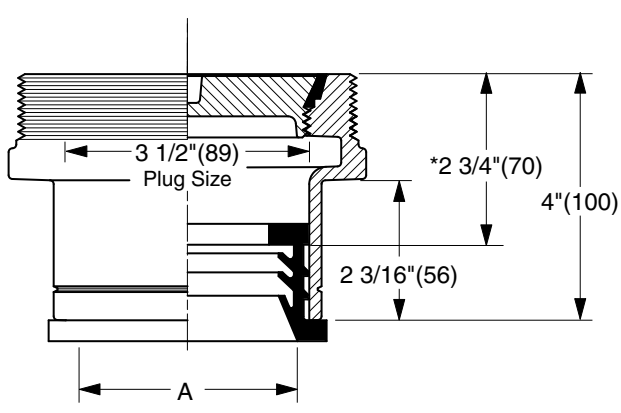
CHECKED BY: BS

DRAWN BY: JJ

**4291 SERIES**

DIMENSIONS ARE SUBJECT TO MANUFACTURERS TOLERANCE AND CHANGE WITHOUT NOTICE

WE CAN ASSUME NO RESPONSIBILITY FOR USE OF SUPERSEDED OR VOID DATA



**SPEEDI-SET OUTLET ▲**

"A" (Pipe Size) = 02(50), 03(75) or 04(100)

"A" (Pipe Size) = 06(150) & 08(200)

A Size	B	C
06 (150)	*3 (76)	4 9/16 (117)
08 (200)	*3 1/4 (83)	4 13/16 (121)

\* This Dimension to Internal Stop of Speedi-set Gasket.

**SPEEDI-SET OUTLET ▲**

- Fig. 4291L.....Gasket Seal - ABS Plug
- Fig. 4292L.....Gasket Seal - Bronze Plug
- Fig. 4293L.....Taper Thread - Bronze Plug
- Fig. 4294L.....Taper Thread - ABS Plug

**SPEEDI-SET OUTLET ▲**

- Fig. 4293L.....Taper Thread - Bronze Plug

**REGULARLY FURNISHED:**  
 Duco Cast Iron Cleanout with Closure Plug Type as Indicated By Figure Number Selected.

**VARIATIONS:**

- Flashing Flange -F
- Flange with Flashing Clamp -F-C

**OPTIONAL MATERIALS:**

- Galvanized Cast Iron -G

**NOTE:** Dimensions shown in parentheses are in millimeters.

REV.	DATE	DESCRIPTION	BY	CKD. BY	WEIGHT POUNDS	VOLUME CUBIC FEET	FIGURE NUMBER
D	5-5-06	Revised Dwg.	RN	CL			<b>4291 SERIES</b>
C	7-22-03	Revised Dwg.	RN	CL			
B	6-25-02	Revised Dwg.	RN	CL			
A	04/12/01	Added dimension and note	JJ	CL			