

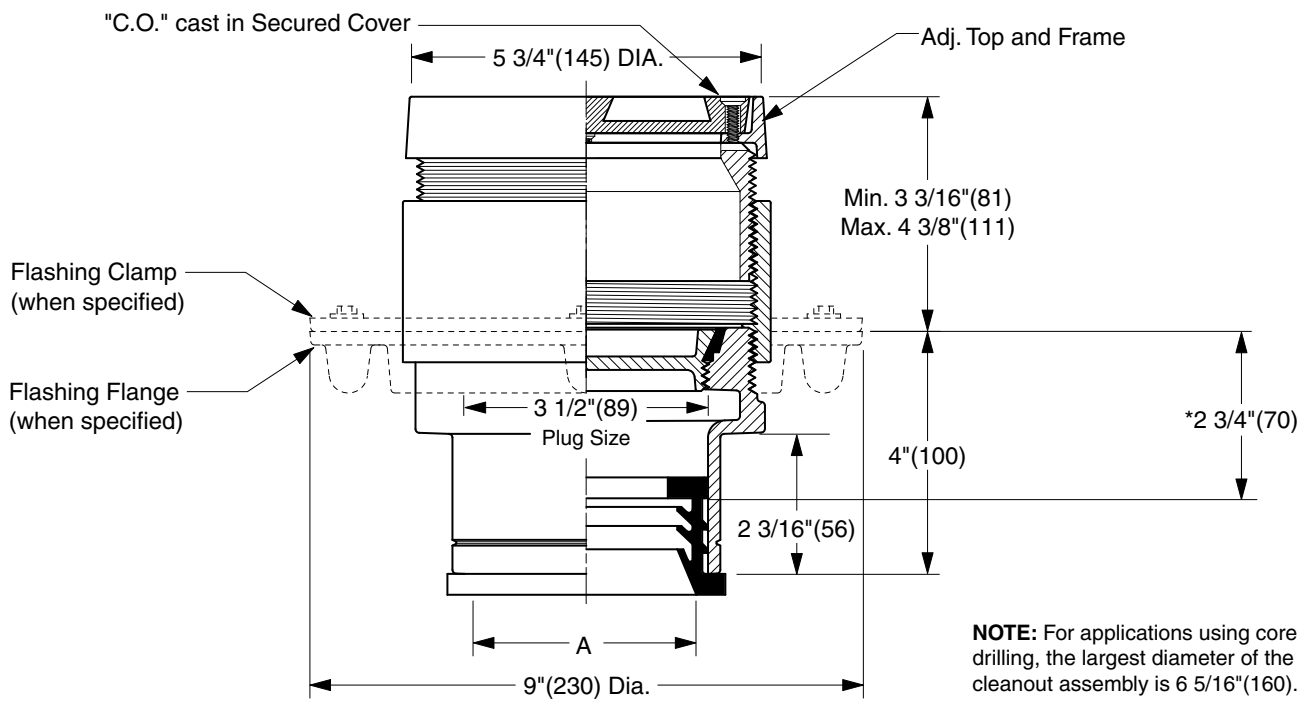
TERRAZZO FLOOR CLEANOUTS WITH "TWIS-TO-FLOOR®" ADJUSTABLE TOPS

ROUND NICKEL BRONZE TOP WITH TERRAZZO RECESS

FUNCTION: For use in floors and areas which are covered with a floor covering such as asphalt or vinyl tile, linoleum, etc., bearing foot and medium load wheeled traffic. The square top is particularly adaptable to the straight line patterns of tile designs. Allows for easy floor level adjustment.

DRAWING NUMBER S4191
SIZE A
SCALE: NONE
DATE: 2-16-70
APPROVED BY: JM
CHECKED BY: BH
DRAWN BY: RK
FIGURE NUMBER 4191 SERIES

WE CAN ASSUME NO RESPONSIBILITY FOR USE OF SUPERSEDED OR VOID DATA
DIMENSIONS ARE SUBJECT TO MANUFACTURERS TOLERANCE AND CHANGE WITHOUT NOTICE



NOTE: For applications using core drilling, the largest diameter of the cleanout assembly is 6 5/16" (160).

* This Dimension to Internal Stop of Speedi-set Gasket.

TWIS-TO-FLOOR® ADJUSTMENT

SPEEDI-SET OUTLET ▲

"A" (Pipe Size) = 02(50), 03(75) or 04(100)

- | | | |
|--------------------------|---|--|
| <input type="checkbox"/> | Fig. 4191L.....Gasket Seal - ABS Plug | (Twis-to-Floor® design shown with gasketed plug.) |
| <input type="checkbox"/> | Fig. 4192L.....Gasket Seal - Bronze Plug | |
| <input type="checkbox"/> | Fig. 4193L.....Taper Thread - Bronze Plug | NOTE: Dimensions shown in parentheses are in millimeters. |
| <input type="checkbox"/> | Fig. 4194L.....Taper Thread - ABS Plug | |

REGULARLY FURNISHED:

Duco Cast Iron Cleanout with Round Adjustable Secured Nickel Bronze Top with 1/2" (13) Terrazzo Recess. Closure Plug Type as Indicated By Figure Number Selected.

VARIATIONS:

- | | |
|--------------------------|---------------------------------|
| <input type="checkbox"/> | Flashing Flange -F |
| <input type="checkbox"/> | Flange with Flashing Clamp -F-C |
| <input type="checkbox"/> | Vandal Proof Top -U |
- ▲ Available in Extra Heavy, Service Weight or NO-HUB.

OPTIONAL MATERIALS:

- | | |
|--------------------------|-------------------------|
| <input type="checkbox"/> | Galvanized Cast Iron -G |
| <input type="checkbox"/> | Polished Bronze Top -PB |

L	12/17/04	Added Core-Drilling Note	JJ	CL	WEIGHT	VOLUME	FIGURE NUMBER
K	07/29/02	Corrected Clamp & Flange view	JJ	CL	POUNDS	CUBIC FEET	4191 SERIES
J	04/12/01	Added dimension and note	JJ	CL			
H	10/17/00	New design	JJ	BS			
REV.	DATE	DESCRIPTION	BY	CKD. BY			

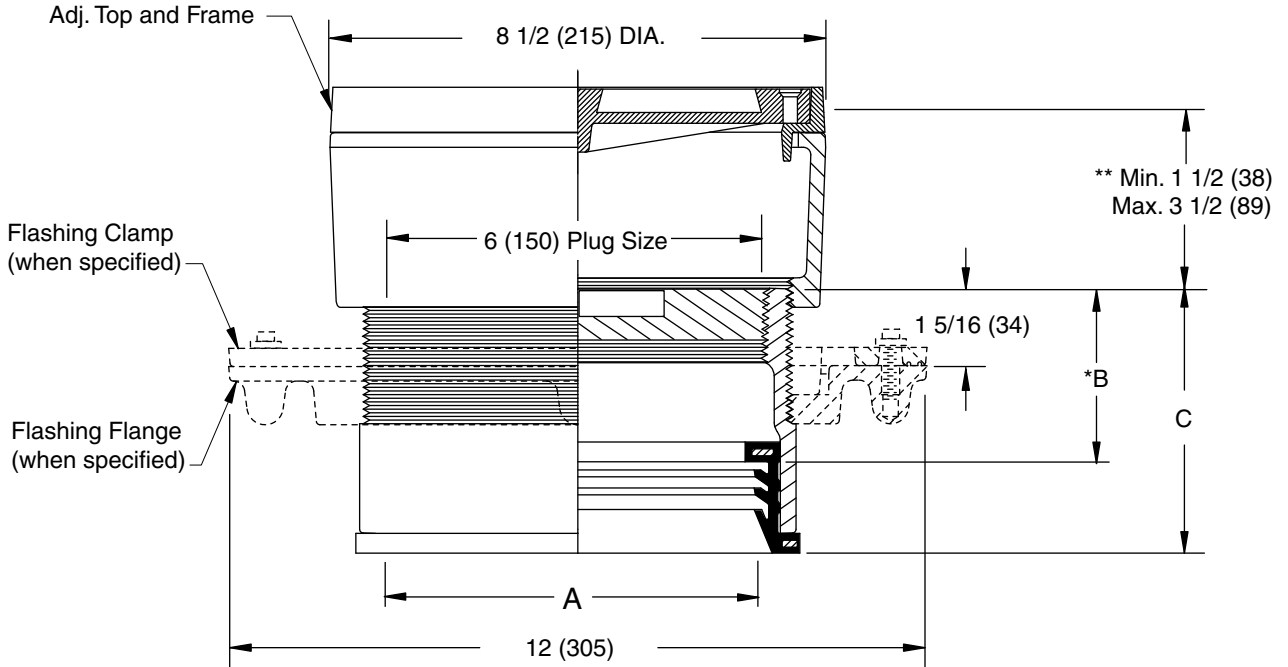


LOCATION

TERRAZZO FLOOR CLEANOUTS WITH "TWIS-TO-FLOOR®" ADJUSTABLE TOPS

ROUND NICKEL BRONZE TOP WITH TERRAZZO RECESS

FUNCTION: Used in terrazzo and similar poured floors bearing foot and medium load wheeled traffic. The recess is filled with the floor material, presenting an unobtrusive appearance. Lock-in design firmly holds floor material in recess.



SPEEDI-SET OUTLET ▲

"A" (Pipe Size) = 06(150) & 08(200)

A SIZE	B	C
06(150)	*3(76)	4 9/16(117)
08(200)	*3 1/4(83)	4 13/16(121)

▲ Available in "L" Service Weight, "LXH" Extra Heavy or "LPVC" PVC or ABS. "LPVC" applicable to 06(150) Pipe Size only.

* This Dimension to Internal Stop of Speedi-Set Gasket.

** When Flange-F is specified Min. 1 1/2 (29) becomes 2 (51)

"TWIS-TO-FLOOR®" ADJUSTMENT

SPEEDI-SET OUTLET ▲

Fig. 4193L.....Taper Thread - Bronze Plug

REGULARLY FURNISHED:

Duco Cast Iron Cleanout with Taper Thread Bronze Plug and Round Adjustable Secured Nickel Bronze Top with 1/2 (13) Terrazzo Recess.

VARIATIONS:

- Flashing Flange -F
- Flange with Flashing Clamp -F-C
- Vandal Proof Top -U

OPTIONAL MATERIALS:

- Galvanized Cast Iron -G
- Polished Bronze Top -PB

NOTE: Dimensions shown in parentheses are in millimeters.

DRAWING NUMBER
S4191BS

SIZE
A

SCALE:
NONE

DATE:
5-5-06

APPROVED BY:
CEL

CHECKED BY:
CL

DRAWN BY:
RN

FIGURE NUMBER
4193

WE CAN ASSUME NO RESPONSIBILITY FOR USE OF SUPERSEDED OR VOID DATA

REV.	DATE	DESCRIPTION	BY	CKD. BY

WEIGHT POUNDS	VOLUME CUBIC FEET

FIGURE NUMBER 4193
