

K

SMITH® JAY R. SMITH MFG. CO.®
 DIVISION OF SMITH INDUSTRIES, INC.
 POST OFFICE BOX 3237
 MONTGOMERY, ALABAMA 36109-0237 (USA)
 TEL: 334-277-8520 FAX: 334-272-7396 www.jrsmith.com



MEMBER OF:

LOCATION

DRAWING NUMBER
S4105

SIZE
A

SCALE:
NONE

DATE:
2-16-70

APPROVED BY:
JM

CHECKED BY:
BH

DRAWN BY:
RK

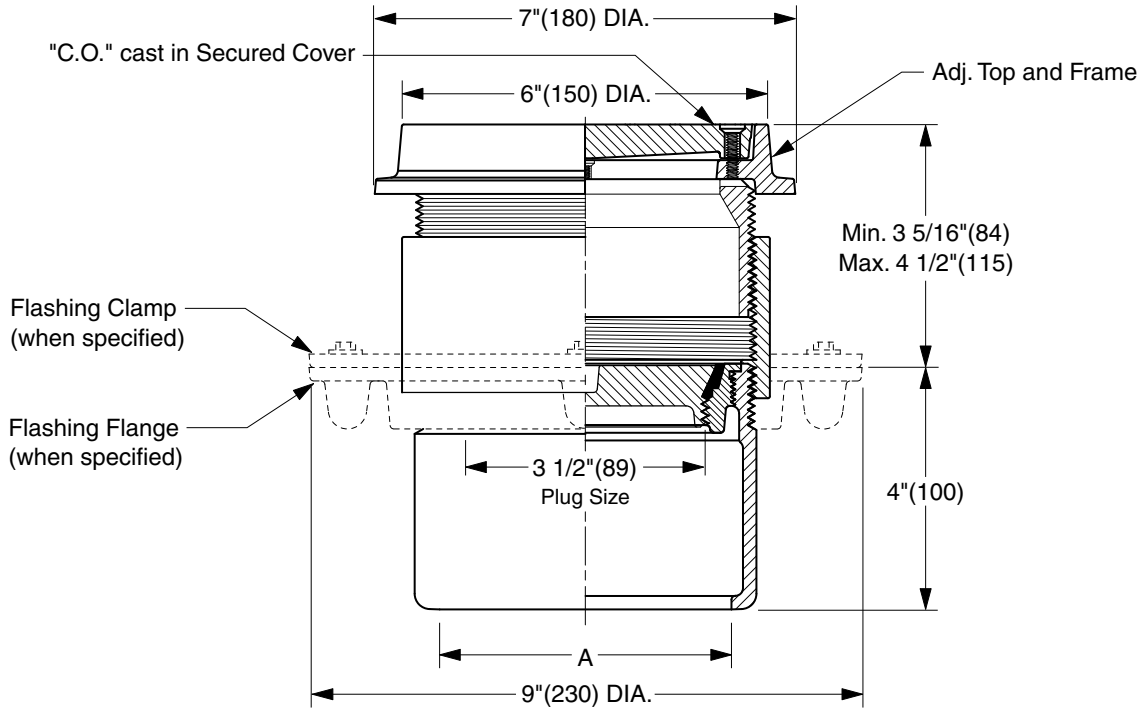
4105 SERIES

DIMENSIONS ARE SUBJECT TO MANUFACTURERS TOLERANCE AND CHANGE WITHOUT NOTICE

FINISHED FLOOR CLEANOUTS WITH "TWIS-TO-FLOOR®" ADJUSTABLE TOPS

ROUND EXTRA HEAVY DUTY NICKEL BRONZE TOP

FUNCTION: Used in hospitals, schools, institutional and industrial buildings where floors are subject to heavy load traffic.



TWIS-TO-FLOOR® ADJUSTMENT

INSIDE CAULK OUTLET

"A" (Pipe Size) = 02(50), 03(75) or 04(100)

- Fig. 4105C.....Gasket Seal - ABS Plug
- Fig. 4106C.....Gasket Seal - Bronze Plug
- Fig. 4108C.....Taper Thread - Bronze Plug
- Fig. 4109C.....Taper Thread - ABS Plug

(Twis-to-Floor® design shown with gasketed plug.)

NOTE: Dimensions shown in parentheses are in millimeters.

REGULARLY FURNISHED:

Duco Cast Iron Cleanout with Round Adjustable Scoriated Secured Nickel Bronze Top. Closure Plug Type as Indicated By Figure Number Selected.

VARIATIONS:

- Flashing Flange -F
- Flange with Flashing Clamp -F-C
- Vandal Proof Top -U

OPTIONAL MATERIALS:

- Galvanized Cast Iron -G
- Polished Bronze Top -PB

REV.	DATE	DESCRIPTION	BY	CKD. BY	WEIGHT POUNDS	VOLUME CUBIC FEET	FIGURE NUMBER
K	12/17/04	Added Width Dimension at Top	JJ	CL			4105 SERIES
J	07/26/02	Corrected Clamp & Flange view	JJ	CL			
H	10/26/00	New design	JJ	CL			