

K



JAY R. SMITH MFG. CO.®
 DIVISION OF SMITH INDUSTRIES, INC.
 POST OFFICE BOX 3237
 MONTGOMERY, ALABAMA 36109-0237 (USA)
 TEL: 334-277-8520 FAX: 334-272-7396 www.jrsmith.com



MEMBER OF:

LOCATION

DRAWING NUMBER
S4040

SIZE
A

SCALE:
NONE

DATE:
2-16-70

APPROVED BY:
JM

CHECKED BY:
BH

DRAWN BY:
RK

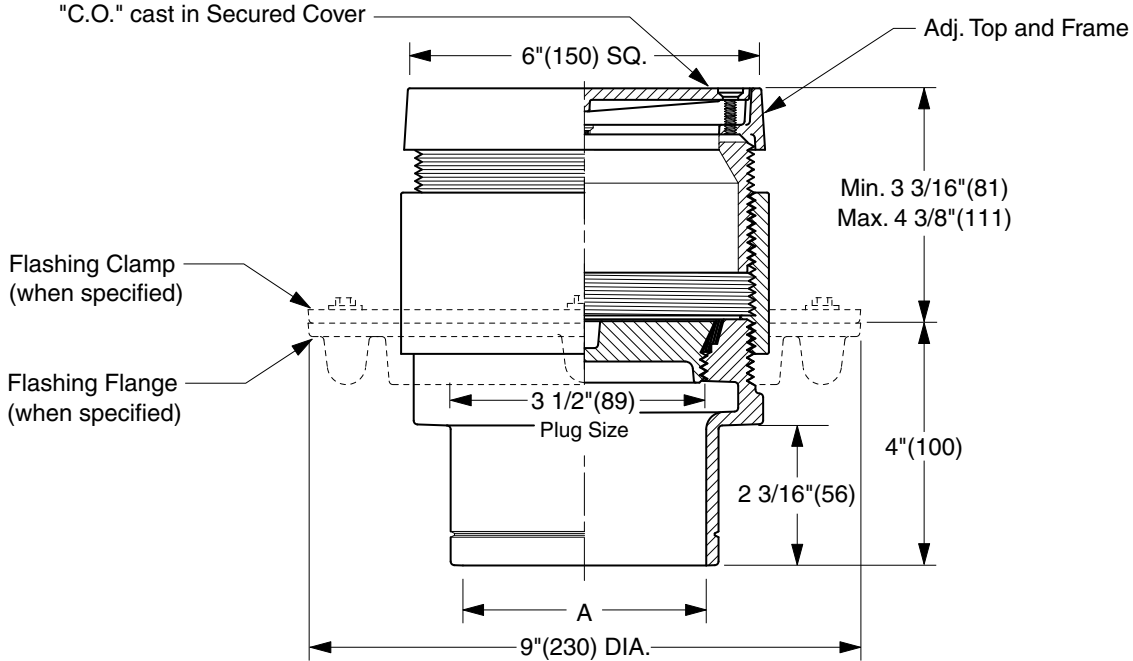
4040 SERIES

WE CAN ASSUME NO RESPONSIBILITY FOR USE OF SUPERSEDED OR VOID DATA

FINISHED FLOOR CLEANOUTS WITH "TWIS-TO-FLOOR®" ADJUSTABLE TOPS

SQUARE NICKEL BRONZE TOP

FUNCTION: For use in finished floors bearing foot and medium load wheeled traffic. The square top is particularly adaptable to floors that are finished of material in straight line patterns. Allows for easy floor level adjustment.



TWIS-TO-FLOOR® ADJUSTMENT
NO-HUB OUTLET

"A" (Pipe Size) = 02(50), 03(75), 04(100) or 05(125)

- Fig. 4040S.....Gasket Seal - ABS Plug
- Fig. 4041S.....Gasket Seal - Bronze Plug
- Fig. 4043S.....Taper Thread - Bronze Plug
- Fig. 4044S.....Taper Thread - ABS Plug

(Twis-to-Floor® design shown with gasketed plug.)

REGULARLY FURNISHED:
 Duco Cast Iron Cleanout with Square Adjustable Scoriated Secured Nickel Bronze Top. Closure Plug Type as Indicated By Figure Number Selected.

- VARIATIONS:**
- Flashing Flange -F
 - Flange with Flashing Clamp -F-C
 - Vandal Proof Top -U

- OPTIONAL MATERIALS:**
- Galvanized Cast Iron -G
 - Polished Bronze Top -PB

NOTE: Dimensions shown in parentheses are in millimeters.

FIGURE NUMBER	K J H	07/26/02 05/03/01 10/17/00	Corrected Clamp & Flange view Edited Outlet Text New design	JJ JJ JJ	CL CL BS	WEIGHT POUNDS	VOLUME CUBIC FEET	FIGURE NUMBER 4040 SERIES
REV.	DATE	DESCRIPTION	BY	CKD. BY				



JAY R. SMITH MFG. CO.
 DIVISION OF SMITH INDUSTRIES, INC.
 POST OFFICE BOX 3237
 MONTGOMERY, ALABAMA 36109-0237 (USA)
 TEL: 334-277-8520 FAX: 334-272-7396 www.jrsmith.com



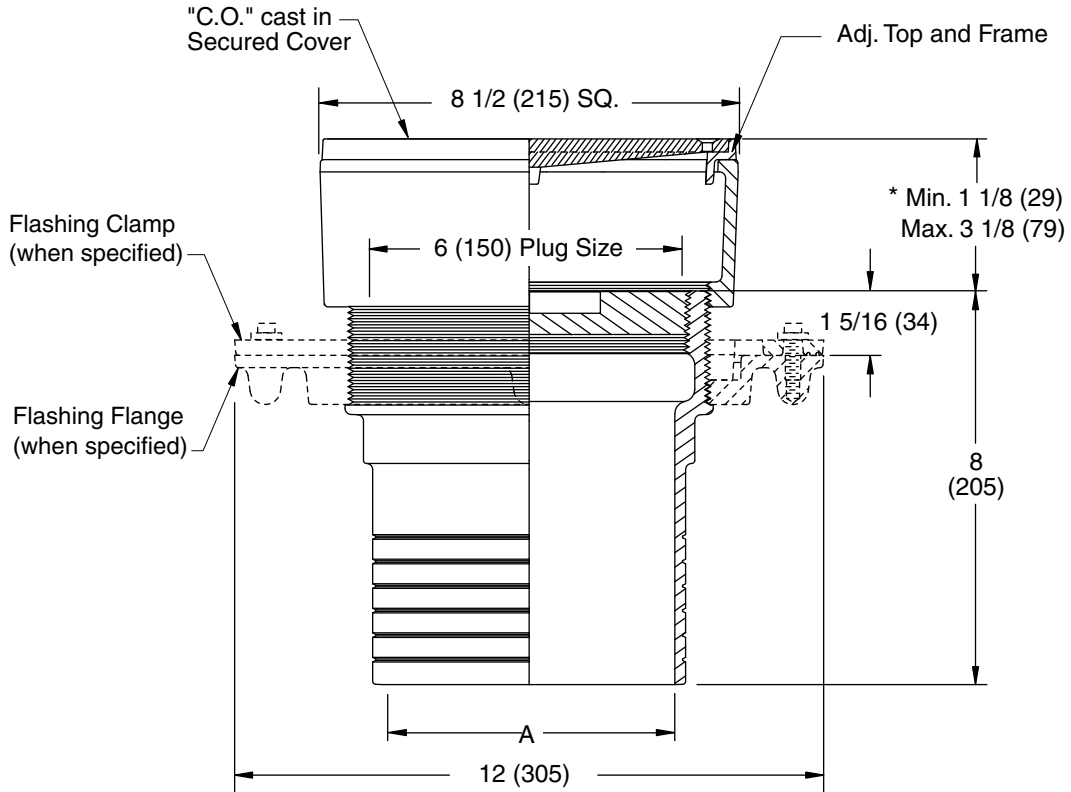
MEMBER OF:

LOCATION

FINISHED FLOOR CLEANOUTS WITH "TWIS-TO-FLOOR®" ADJUSTABLE TOPS

SQUARE NICKEL BRONZE TOP

FUNCTION: For use in finished floors bearing foot and medium load wheeled traffic. Allows for easy floor level adjustment.



SPIGOT OUTLET▲

"A" (Pipe Size) = 06(150) & 08(200)

▲ Sized for Service Weight and/or NO-HUB.

* When Flange-F is specified Min. 1 1/8 (29) becomes 1 5/8 (41)

"TWIS-TO-FLOOR®" ADJUSTMENT

SPIGOT OUTLET▲

Fig. 4043S.....Taper Thread - Bronze Plug

REGULARLY FURNISHED:

Duco Cast Iron Cleanout with Taper Thread Bronze Plug and Square Adjustable Scoriated Secured Nickel Bronze Top.

VARIATIONS:

- Flashing Flange -F
- Flange with Flashing Clamp -F-C
- Vandal Proof Top -U

OPTIONAL MATERIALS:

- Galvanized Cast Iron -G
- Polished Bronze Top -PB

NOTE: Dimensions shown in parentheses are in millimeters.

DRAWING NUMBER
S4040BS

SIZE
A

SCALE:
NONE

DATE:
5-5-06

APPROVED BY:
CEL

CHECKED BY:
CL

DRAWN BY:
RN

FIGURE NUMBER
4043

WE CAN ASSUME NO RESPONSIBILITY FOR USE OF SUPERSEDED OR VOID DATA

REV.	DATE	DESCRIPTION	BY	CKD. BY

WEIGHT POUNDS	VOLUME CUBIC FEET

FIGURE NUMBER 4043
