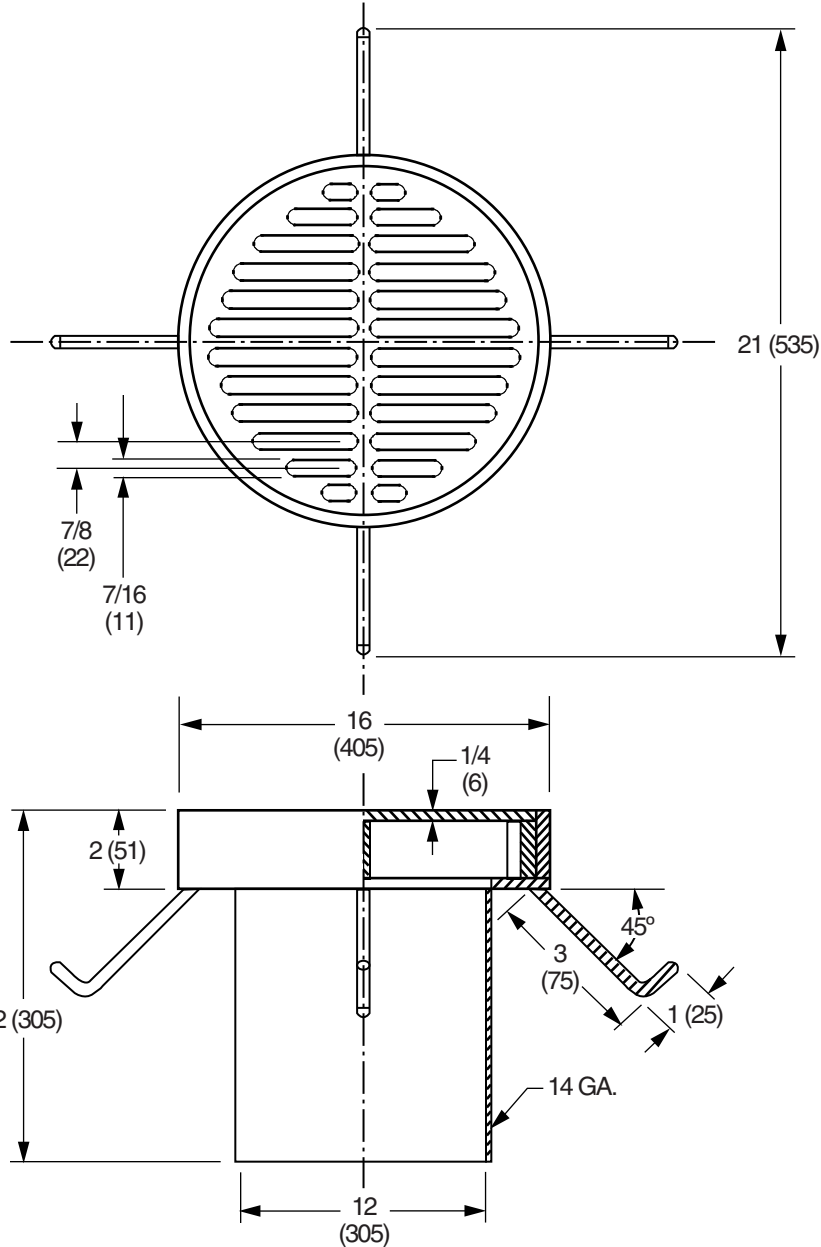




**JAY R. SMITH CO.**  
 PLUMBING & DRAINAGE PRODUCTS  
 959 Alness Street, North York, Ontario M3J 2J1  
 TEL: (416) 736-9610 FAX: (416) 736-3789

LOCATION

# SPECIAL STAINLESS STEEL FLOOR DRAIN



**REGULARLY FURNISHED:**  
 All Fabricated Type 316 Stainless  
 Steel Body and Heavy Duty Grate.

DRAWING NUMBER  
 sSQ-9-3823

SIZE  
**A**

SCALE:  
 NONE

DATE:  
 05/18/07

APPROVED BY:  
 AM

CHECKED BY:  
 AM

DRAWN BY:  
 JJ

**SQ-9-3823**

FIGURE  
 NUMBER

WE CAN ASSUME NO RESPONSIBILITY FOR USE OF SUPERSEDED OR VOID DATA

DIMENSIONS ARE SUBJECT TO MANUFACTURERS TOLERANCE AND CHANGE WITHOUT NOTICE

REV.	DATE	DESCRIPTION	BY	CKD. BY

WEIGHT  
 POUNDS

VOLUME  
 CUBIC FEET

FIGURE NUMBER

**SQ-9-3823**