



# JAY R. SMITH CO.

PLUMBING & DRAINAGE PRODUCTS  
 959 Alness Street, North York, Ontario M3J 2J1  
 TEL: (416) 736-9610 FAX: (416) 736-3789

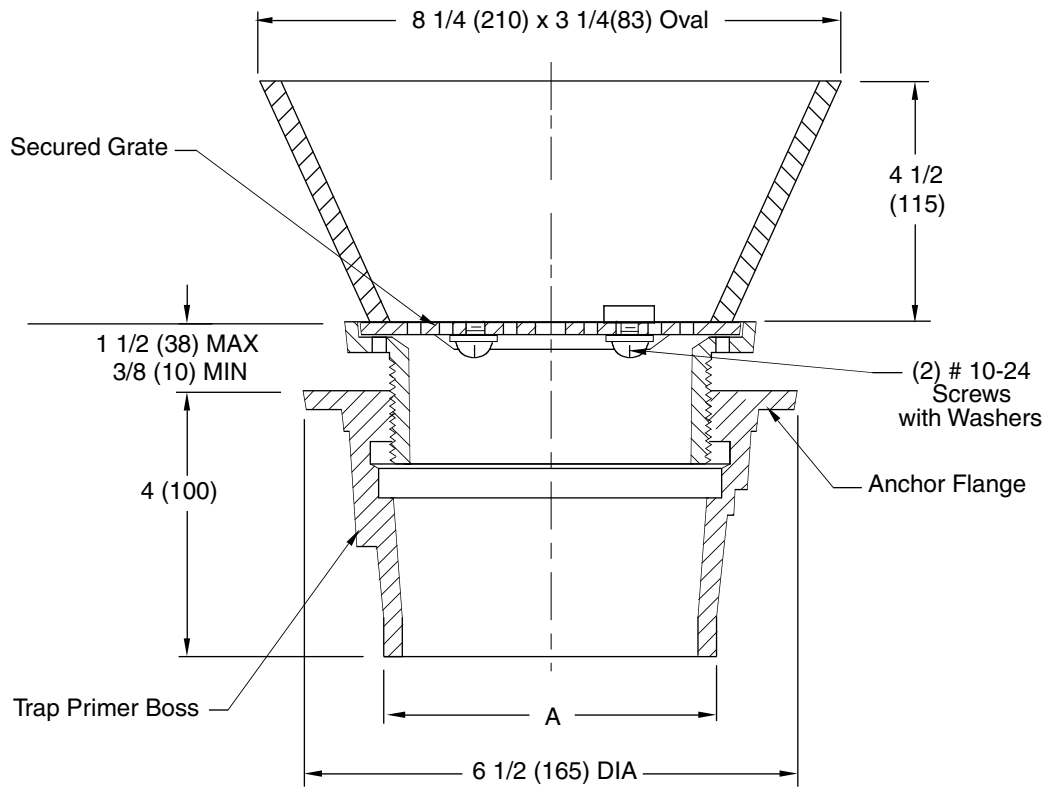
LOCATION

B  
 DRAWING NUMBER  
 SSQ-4-1753-A /3591  
 SIZE  
**A**  
 SCALE:  
 NONE  
 DATE:  
 4-23-07  
 APPROVED BY:  
 AM  
 CHECKED BY:  
 AM  
 DRAWN BY:  
 RN  
 SQ-4-1753-A /3591  
 FIGURE NUMBER

WE CAN ASSUME NO RESPONSIBILITY FOR USE OF SUPERSEDED OR VOID DATA  
 DIMENSIONS ARE SUBJECT TO MANUFACTURERS TOLERANCE AND CHANGE WITHOUT NOTICE

## ADJUSTABLE FUNNEL DRAIN

### FOR NON-MEMBRANE FLOORS



**NO-HUB OUTLET**

A (Pipe Size) = 02 (50), 03 (75), 04 (100)

**REGULARLY FURNISHED:**

Duco Cast Iron Body with 5" Adjustable Cast Iron Strainer Head and Grate, with Oval Funnel Assemble.

**VARIATIONS:**

- Vandal Proof Screws -U
- 1/2" Trap Primer Connection P-050

**OPTIONAL MATERIAL:**

- Nickel Bronze -NB TOP
- Stainless Steel -SS TOP
- A.R.C. Cast Iron -ARC

**NOTE:** Dimensions shown in parentheses are in millimeters.

REV.	DATE	DESCRIPTION	BY	CKD. BY	WEIGHT POUNDS	VOLUME CUBIC FEET	FIGURE NUMBER
B	05/23/07	Revised Funnel Profile.	JJ	AM			SQ-4-1753-A /3591
A	05/07/07	Revised Var. & Opt. Mat'l.	JJ	AM			