



JAY R. SMITH CO.
PLUMBING & DRAINAGE PRODUCTS
 959 Alness Street, North York, Ontario M3J 2J1
 TEL: (416) 736-9610 FAX: (416) 736-3789

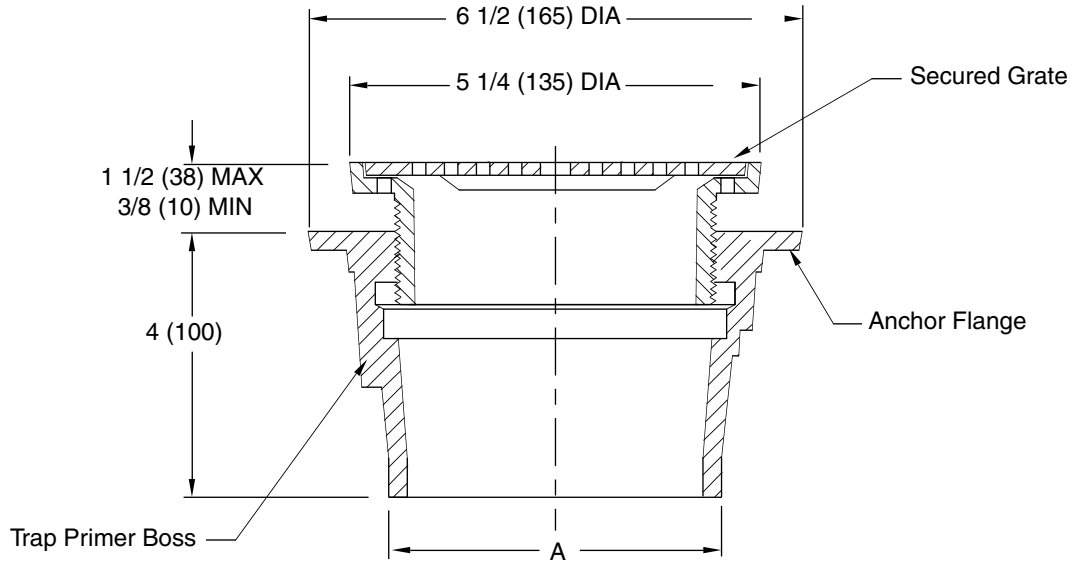
LOCATION

G
 DRAWING NUMBER
 SSQ-4-1753-A
 SIZE
 A
 SCALE:
 NONE
 DATE:
 10-20-95
 APPROVED BY:
 SB
 CHECKED BY:
 SLB
 DRAWN BY:
 EMB
 SQ-4-1753-A
 FIGURE NUMBER

WE CAN ASSUME NO RESPONSIBILITY FOR USE OF SUPERSEDED OR VOID DATA
 DIMENSIONS ARE SUBJECT TO MANUFACTURERS TOLERANCE AND CHANGE WITHOUT NOTICE

ADJUSTABLE FLOOR DRAIN

FOR NON-MEMBRANE FLOORS



NO-HUB OUTLET

A (Pipe Size) = 02 (50), 03 (75), 04 (100)

REGULARLY FURNISHED:

Duco Cast Iron Body
 with Adjustable Cast Iron
 Strainer Head and Grate.

VARIATIONS:

- A05 NB Top
- A05 NB HD Top
- A06 NB Top
- A06 NB HD Top
- B05 NB Top
- B06 NB Top
- Vandal Proof Screws -U
- 1/2" Trap Primer Connection P-050

OPTIONAL MATERIAL:

- Nickel Bronze -NB TOP
- Stainless Steel -SS TOP
- A.R.C. Cast Iron -ARC

NOTE: Dimensions shown in parentheses are in millimeters.

G	6-03-08	Rev. Variations	RN	CL			
F	5-07-07	Rev. Var. & Opt. Mat.	JJ	AM	WEIGHT	VOLUME	FIGURE NUMBER
E	4-23-07	Rev. Dwg. & Variation & Opt. Mat.	RN	AM	POUNDS	CUBIC FEET	SQ-4-1753-A
D	1-22-99	Added Variations, Rev. Opt. Mat.	TBW	AM			
REV.	DATE	DESCRIPTION	BY	CKD. BY			