

C



JAY R. SMITH CO.

PLUMBING & DRAINAGE PRODUCTS

959 Alness Street, North York, Ontario M3J 2J1

TEL: (416) 736-9610 FAX: (416) 736-3789

LOCATION

DRAWING NUMBER
SSQ-4-1753 /2645

SIZE
A

SCALE:
NONE

DATE:
11-30-06

APPROVED BY:
AM

CHECKED BY:
AM

DRAWN BY:
RN

SQ-4-1753 /2645

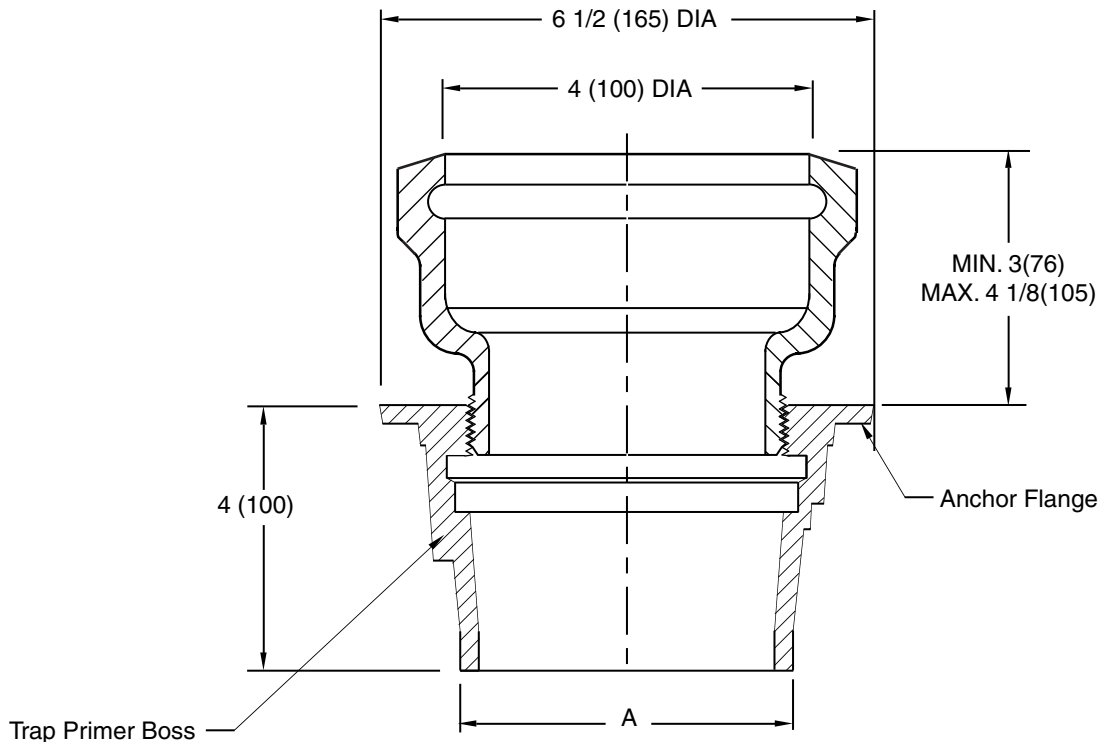
FIGURE NUMBER

WE CAN ASSUME NO RESPONSIBILITY FOR USE OF SUPERSEDED OR VOID DATA

DIMENSIONS ARE SUBJECT TO MANUFACTURERS TOLERANCE AND CHANGE WITHOUT NOTICE

ADJUSTABLE HUB DRAIN

FOR NON-MEMBRANE FLOORS



SQ-4-1753 w/2645. NO-HUB OUTLET

A (Pipe Size) = 02 (50), 03 (75), 04 (100)

REGULARLY FURNISHED:
Duco Cast Iron Body with Adjustable
Cast Iron Soil Pipe Hub Adaptor.

VARIATIONS

- 1/2" (13) Trap Primer Connection -P050
- Squeeze In Backwater Valve -V

OPTIONAL MATERIAL:

- Galvanized Cast Iron Body -G
- Nickel Bronze Hub Adaptor -NB

REV.	DATE	DESCRIPTION	BY	CKD. BY	WEIGHT POUNDS	VOLUME CUBIC FEET	FIGURE NUMBER
C	5-23-07	Deleted size table, rev. text	JJ	AM			SQ-4-1753 /2645
B	5-07-07	Rev. Var.	JJ	AM			
A	4-23-07	Rev. Optional Mat.	RN	AM			