



# JAY R. SMITH CO.

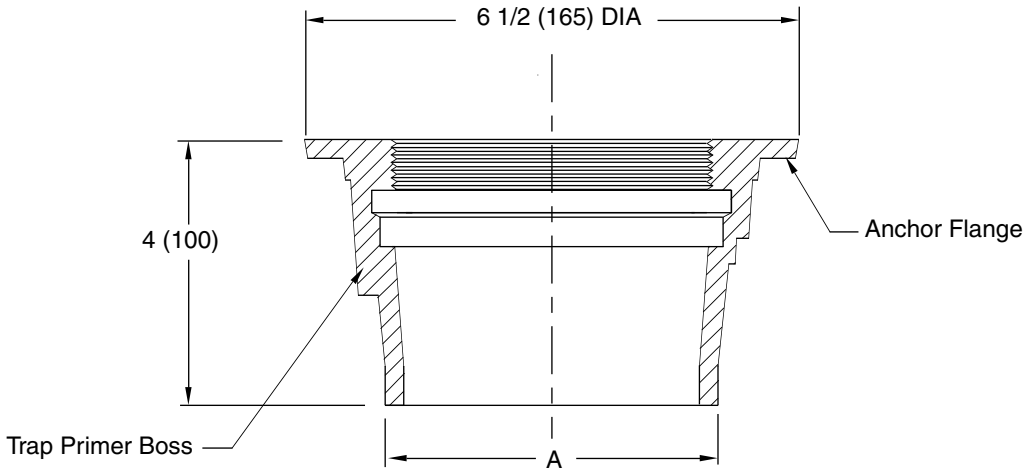
PLUMBING & DRAINAGE PRODUCTS

959 Alness Street, North York, Ontario M3J 2J1

TEL: (416) 736-9610 FAX: (416) 736-3789

LOCATION

## ADJUSTABLE FLOOR DRAIN BODY FOR NON-MEMBRANE FLOORS



**NO-HUB OUTLET**

A (Pipe Size) = 02 (50), 03 (75), 04 (100)

**REGULARLY FURNISHED:**

Duco Cast Iron Body.

**VARIATIONS:**

- A05 NB Top
- A05 NB HD Top
- A06 NB Top
- A06 NB HD Top
- B05 NB Top
- B06 NB Top
- Vandal Proof Screws -U
- 1/2" Trap Primer Connection P-050

**OPTIONAL MATERIAL:**

- Nickel Bronze -NB TOP
- Stainless Steel -SS TOP
- A.R.C. Cast Iron -ARC

**NOTE:** Dimensions shown in parentheses are in millimeters.

DRAWING NUMBER  
SSQ-4-1753-CAN

SIZE  
**A**

SCALE:  
NONE

DATE:  
01-23-09

APPROVED BY:  
AM

CHECKED BY:  
AM

DRAWN BY:  
RN

**SQ-4-1753-CAN**

WE CAN ASSUME NO RESPONSIBILITY FOR USE OF SUPERSEDED OR VOID DATA

DIMENSIONS ARE SUBJECT TO MANUFACTURERS TOLERANCE AND CHANGE WITHOUT NOTICE

FIGURE NUMBER

REV.	DATE	DESCRIPTION	BY	CKD. BY

WEIGHT  
POUNDS

VOLUME  
CUBIC FEET

FIGURE NUMBER  
**SQ-4-1753-CAN**