

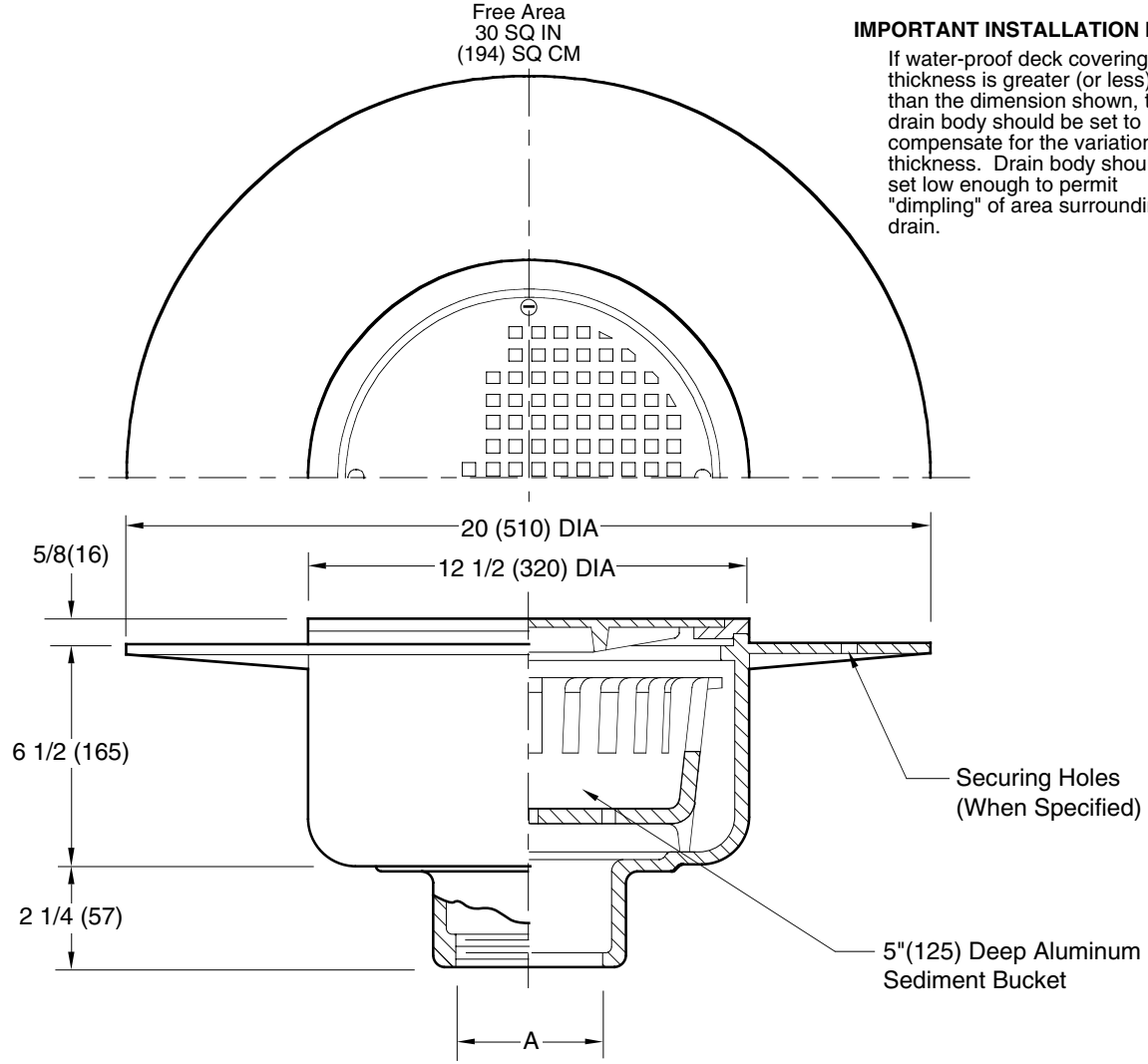
SANI-CEPTOR® ACID RESISTANT COATED FLOOR & INDIRECT WASTE DRAINS

ROUND NICKEL BRONZE TOP
WIDE FLANGE SANITARY FLOOR DRAIN

FUNCTION: Used in kitchen areas where waterproof traffic floor coverings are applied. The acid resistant coated interior makes it ideal for kitchens, hospitals and schools.

IMPORTANT INSTALLATION NOTE

If water-proof deck covering thickness is greater (or less) than the dimension shown, the drain body should be set to compensate for the variation in thickness. Drain body should be set low enough to permit "dimpling" of area surrounding drain.



A (Pipe Size) = 02(50), 03(80), 04(100), 05(125) or 06(150)

- Fig. DX3068C CAULK OUTLET
- Fig. DX3068T THREADED OUTLET

REGULARLY FURNISHED:
Cast Iron Body with Acid Resistant Coated Interior and Nickel Bronze Top with Sediment Bucket.

- VARIATIONS:**
- Less Bucket and Grate -LBG
 - Securing Holes -SH
 - Vandal Proof Grate -U
 - NO-HUB Adaptor (Specify Fig. 2646Y)

OPTIONAL MATERIALS:
 Polished Bronze Top -PB

NOTE: Dimensions shown in parentheses are in millimeters.

DRAWING NUMBER: SDX3068-CAN
SIZE: A
SCALE: NONE
DATE: 9-19-85
APPROVED BY: SJM
CHECKED BY: JD
DRAWN BY: PJ
DX3068-CAN
DIMENSIONS ARE SUBJECT TO MANUFACTURERS TOLERANCE AND CHANGE WITHOUT NOTICE

C	9-4-96	Added Millimeters	EMB	BS	WEIGHT	VOLUME	FIGURE NUMBER
B	7-12-94	Revised	EMB	BS	POUNDS	CUBIC FEET	DX3068-CAN
A	12-3-93	Submittal Update	EMB	BS			
REV.	DATE	DESCRIPTION	BY	CKD. BY			