



JAY R. SMITH CO.

PLUMBING & DRAINAGE PRODUCTS

959 Alness Street, North York, Ontario M3J 2J1

TEL: (416) 736-9610 FAX: (416) 736-3789

LOCATION

DRAWING NUMBER
SDX1250-CAN

SIZE
A

SCALE:
NONE

DATE:
8-10-06

APPROVED BY:
CL

CHECKED BY:
CL

DRAWN BY:
TBW

FIGURE NUMBER
DX1250-CAN

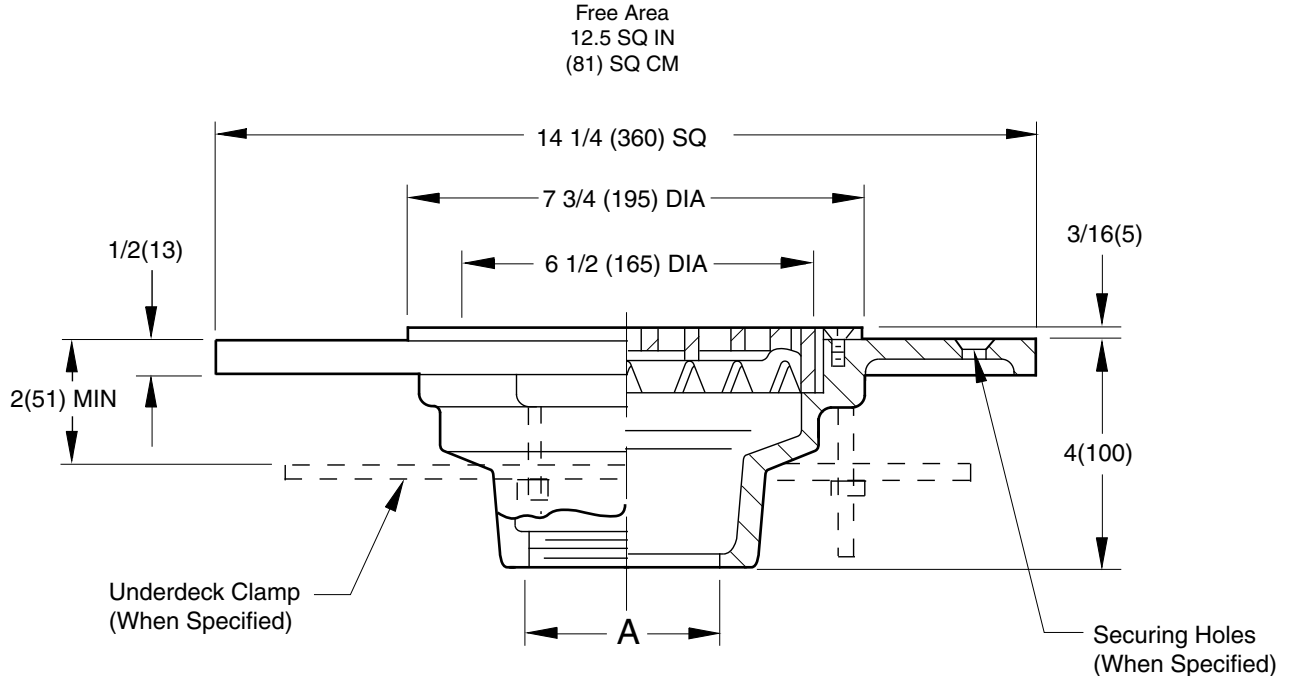
WE CAN ASSUME NO RESPONSIBILITY FOR USE OF SUPERSEDED OR VOID DATA

DIMENSIONS ARE SUBJECT TO MANUFACTURERS TOLERANCE AND CHANGE WITHOUT NOTICE

GENERAL PURPOSE ROOF DRAINS

SQUARE WIDE FLANGE BODY WITH NICKEL BRONZE TRACTOR GRATE

FUNCTION: Used in either wood or concrete deck installation where waterproof finished decks are installed. Large flange provides ample surface to receive the waterproofing membranes and the finished topping coat.



Free Area
12.5 SQ IN
(81) SQ CM

A (Pipe Size) = 02(50), 03(75) or 04(100)

- Fig. DX1250CCAULK OUTLET
- Fig. DX1250TTHREADED OUTLET

REGULARLY FURNISHED:

Duco Cast Iron Wide Flange Body with Nickel Bronze Tractor Grate and Rim.

VARIATIONS:

- Membrane Clamp (Specify DX2565R)
- NO-HUB Adaptor (Specify Fig. 2646Y)
- Securing Holes -SH
- Sediment Bucket -B
- Underdeck Clamp -C

OPTIONAL MATERIALS:

- Galvanized Cast Iron -G
- Polished Bronze -PB

Use only where light rainfall is prevalent or in covered roofareas. When heavy rainfall is anticipated, use DX1010 orDX2566.

NOTE: Recommended deck opening 9 1/4(235).

NOTE: Dimensions shown in parentheses are in millimeters.

REV.	DATE	DESCRIPTION	BY	CKD. BY	WEIGHT POUNDS	VOLUME CUBIC FEET	FIGURE NUMBER
							DX1250-CAN