



JAY R. SMITH CO.

PLUMBING & DRAINAGE PRODUCTS

959 Alness Street, North York, Ontario M3J 2J1

TEL: (416) 736-9610 FAX: (416) 736-3789

LOCATION

DRAWING NUMBER
SDX1010-CAN

SIZE
A

SCALE:
NONE

DATE:
8-10-06

APPROVED BY:
CL

CHECKED BY:
CL

DRAWN BY:
TBW

FIGURE NUMBER
DX1010-CAN

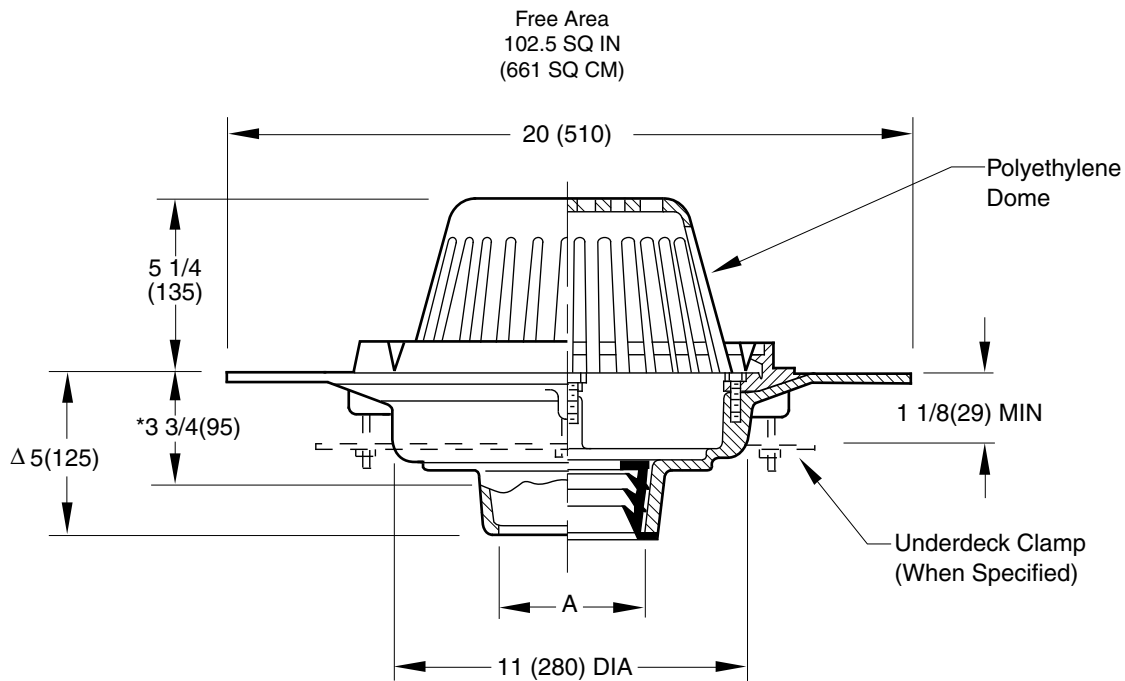
WE CAN ASSUME NO RESPONSIBILITY FOR USE OF SUPERSEDED OR VOID DATA

DIMENSIONS ARE SUBJECT TO MANUFACTURERS TOLERANCE AND CHANGE WITHOUT NOTICE

GENERAL PURPOSE ROOF DRAINS

WIDE FLANGE BODY WITH SECURED DOME

FUNCTION: For use in promenade roof deck and rooftop recreational areas where traffic bearing roof deck covering is to be applied. Drain body sump is protected from leaves, paper and other debris by large secured dome.



A (Pipe Size) = 02(50),03(75),04(100),05(125) or 06(150)

- Fig. DX1010C CAULK OUTLET
- Fig. DX1010Y NO-HUB OUTLET

REGULARLY FURNISHED:

Duco Cast Iron Wide Flange Body with Combined Flashing Clamp and Gravel Stop with Polyethylene Dome.

Δ Same for Caulk, NO-HUB and Speedi-Set. 3 3/4(95) for Threaded
NOTE: Recommended deck opening 14(355) DIA.

*This Dimension to Internal Stop of Speedi-Set Gasket.

VARIATIONS:

- "L" Shaped Underdeck Clamp -CL
- L Speedi-Set Service Weight
02(50), 03(75) & 04"(100) sizes only
- LXH Speedi-Set Extra Heavy
02(50), 03(75) & 04"(100) sizes only
- Securing Holes -SH
- Underdeck Clamp -C
- Vandal Proof Dome -U
- T Threaded Outlet

OPTIONAL MATERIALS:

- Aluminum Dome -AD
- Cast Iron Dome -CID
- Galvanized Cast Iron Dome -CIDG
- Galvanized Cast Iron Body and Collar -G
- Rough Bronze Dome -RBD

NOTE: Dimensions shown in parentheses are in millimeters.

REV.	DATE	DESCRIPTION	BY	CKD. BY

WEIGHT POUNDS	VOLUME CUBIC FEET	FIGURE NUMBER
		DX1010-CAN