



JAY R. SMITH CO.

PLUMBING & DRAINAGE PRODUCTS

959 Alness Street, North York, Ontario M3J 2J1

TEL: (416) 736-9610 FAX: (416) 736-3789

LOCATION

DRAWING NUMBER
SUFFIX-Y-Z-CAN

SIZE
A

SCALE:
NONE

DATE:
6-3-03

APPROVED BY:
AM

CHECKED BY:
AM

DRAWN BY:
RN

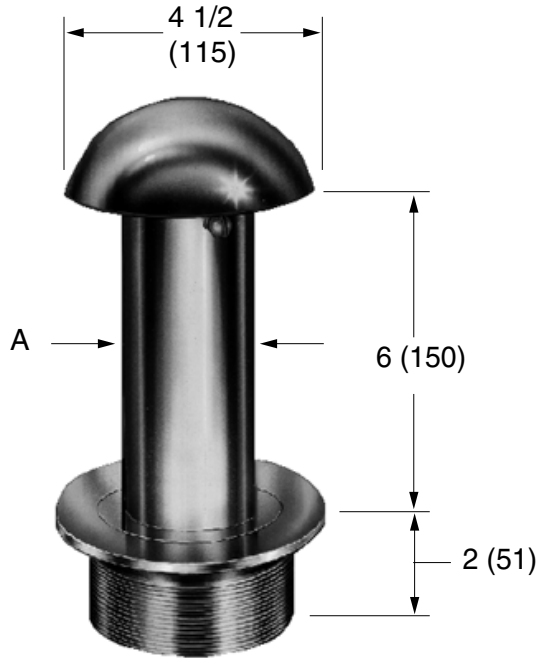
SUFFIX-Y-Z-CAN

WE CAN ASSUME NO RESPONSIBILITY FOR USE OF SUPERSEDED OR VOID DATA

DIMENSIONS ARE SUBJECT TO MANUFACTURERS TOLERANCE AND CHANGE WITHOUT NOTICE

OVERFLOW WITH STRAINER

FUNCTION: Used as overflow drain in decorative pools, fish ponds or similar areas. Dome prevents floating objects from entering drain line.



SUFFIX	A SIZE	X	
		MIN	MAX
-Y	2 (51)	3/4 (19)	2 1/8 (54)
-Z	3 (76)	3/4 (19)	2 1/8 (54)

Specify Type, Size & Finish. eg: VCP, ZCP

VARIATIONS:

- Less Dome -LD
- Standpipe Height other than 6"(150) (Specify Height)

OPTIONAL MATERIALS:

- Chrome Plated -CP
- Polished Bronze -PB
- Nickel Bronze -NB

FIGURE NUMBER

REV.	DATE	DESCRIPTION	BY	CKD. BY
------	------	-------------	----	---------

WEIGHT
POUNDS

VOLUME
CUBIC FEET

FIGURE NUMBER

SUFFIX -Y-Z-CAN