



JAY R. SMITH CO.

PLUMBING & DRAINAGE PRODUCTS
 959 Alness Street, North York, Ontario M3J 2J1
 TEL: (416) 736-9610 FAX: (416) 736-3789

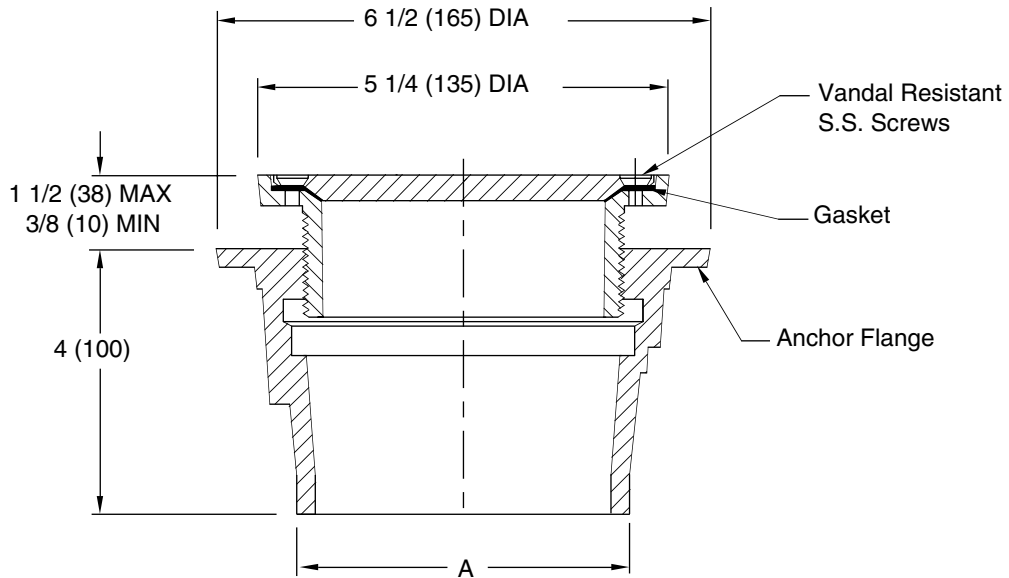
LOCATION

D
 DRAWING NUMBER
 SSQ-4-1753-CO-CAN
 SIZE
 A
 SCALE:
 NONE
 DATE:
 10-20-95
 APPROVED BY:
 SB
 CHECKED BY:
 SLB
 DRAWN BY:
 EMB
 SQ-4-1753-CO-CAN
 FIGURE NUMBER

WE CAN ASSUME NO RESPONSIBILITY FOR USE OF SUPERSEDED OR VOID DATA

DIMENSIONS ARE SUBJECT TO MANUFACTURERS TOLERANCE AND CHANGE WITHOUT NOTICE

ADJUSTABLE FLOOR CLEANOUT FOR NON-MEMBRANE FLOORS



NO-HUB OUTLET

A (Pipe Size) = 02 (50), 03 (75), 04 (100)

REGULARLY FURNISHED:

Duco Cast Iron Body
 with Adjustable Cast Iron
 Cleanout and Scoriated
 Gasketed Cover.

VARIATIONS:

- Tile Top -RT-NB
- Square Top -SQ-NB

OPTIONAL MATERIAL:

- Nickle Bronze -NB
- Stainless Steel -SS

NOTE: Dimensions shown in parentheses are in millimeters.

D	1-22-99	Added Variations, Rev. Opt. Mat.	TBW		WEIGHT	VOLUME	FIGURE NUMBER
C	3-27-96	Revision	EMB	SB	POUNDS	CUBIC FEET	SQ-4-1753-CO-CAN
B	12-14-95	Rev Callout	EMB	SB			
A	11-14-95	Rev Dwg	EMB	SB			
REV.	DATE	DESCRIPTION	BY	CKD. BY			